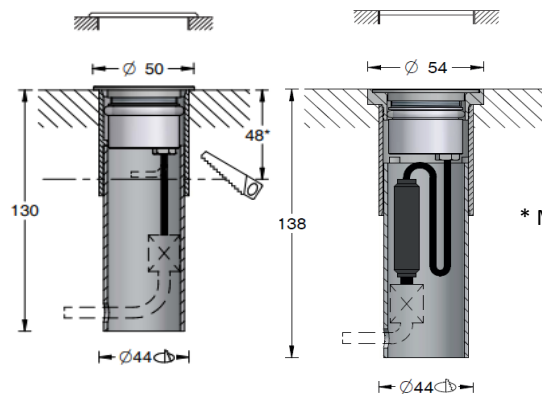
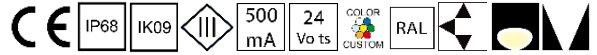


# MICRO

## 1 LED recessed luminaire

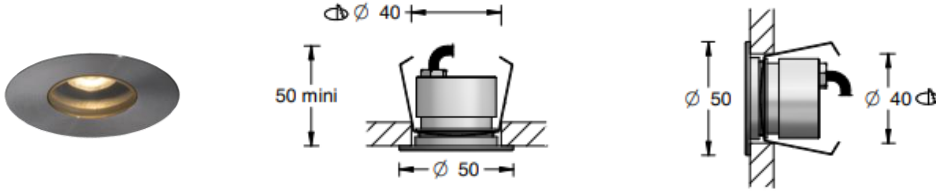
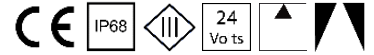


\* Minimum depth with remote power supply

- . **Material:** Body in anodized Aluminium (Epoxy paint upon request) – Stainless Steel 316L  
Alum. - Stainless Steel 316L – Brass  
Tempered glass extra white
- . **Fixing :** Ground / Wall
- . **LED Source :** 1 LED 3-SDCM - L90B10@100.000hr
- . **Color T° :** 2700K / 3000K / 4000K - Other possible temperatures, contact us.
- . **Product flux :** 167lm (at 3000K-12°)
- . **Efficacy :** 124lm/W
- . **CRI :** 80+ / 90+
- . **Optic :** 12° / 24° / 30° / 50°
- . **Adjustable :** No
- . **Dimensions :** Ø50mm / Ø54mm
- . **Weight :** 0.240Kg
- . **Protection :** IP68
- . **Impact :** IK09
- . **Static load :** 3T
- . **High pressure :** No
- . **Protection :** Classe III
- . **Power :** 1.6W / 2.1W
- . **Power supply :** 500mA / 12-24VDC
- . **Driver :** Remote
- . **Control :** On-Off / 1-10V\* / DALI\* (with adequate driver)  
\*Optional control through smartphone bluetooth CASAMBI
- . **Cables :** 1ml standard (2x0.22mm<sup>2</sup> noir / 2x0.50mm<sup>2</sup> noir)
- . **Energy class:** D/F
- . **Norms :** NF-EN 60529/60598-1/60598-2-1/60598-2-3/60598-2-5/62471
- . **Warranty:** 2 years standard

# MICRO SPRING

## 1 LED recessed luminaire (without visible screws)



- . **Material:** Body in anodized Aluminium (Epoxy paint upon request) – Stainless Steel 316L  
Alum. - Stainless Steel 316L – Brass  
Tempered glass extra white
- . **Fixing :** Recessed luminaire (hollow partition)
  
- . **LED Source :** 1 LED 3-SDCM - L90B10@100.000hr
- . **Color T° :** 2700K / 3000K / 4000K - Other possible temperatures, contact us.
  
- . **Product flux :** 167lm (at 3000K-12°)
- . **Efficacy :** 124lm/W
- . **CRI :** 80+ / 90+
- . **Optic :** 12° / 24° / 30° / 50°
  
- . **Adjustable :** No
- . **Dimensions :** Ø50mm / Ø54mm x 50mm
- . **Weight :** 0.240Kg
  
- . **Protection :** IP68
- . **Impact :** IK09
- . **Static load :** 3T
- . **High pressure :** No
  
- . **Protection :** Classe III
- . **Power :** 1.6W / 2.1W
- . **Power supply :** 500mA / 12-24VDC
- . **Driver :** Remote
- . **Control :** On-Off / 1-10V\* / DALI\* (with adequate driver)  
\*Optional control through smartphone bluetooth CASAMBI
  
- . **Cables :** 1ml standard (2x0.22mm<sup>2</sup> noir / 2x0.50mm<sup>2</sup> noir)
  
- . **Energy class:** D/F
- . **Norms :** NF-EN 60529/60598-1/60598-2-1/60598-2-3/60598-2-5/62471
- . **Warranty:** 2 years standard