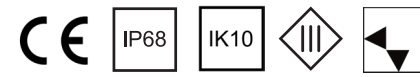
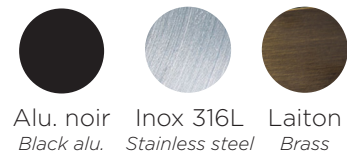


NANO



Encastré de sol 1 LED (sans vis apparente)
1 LED Ground recessed (without visible screw)

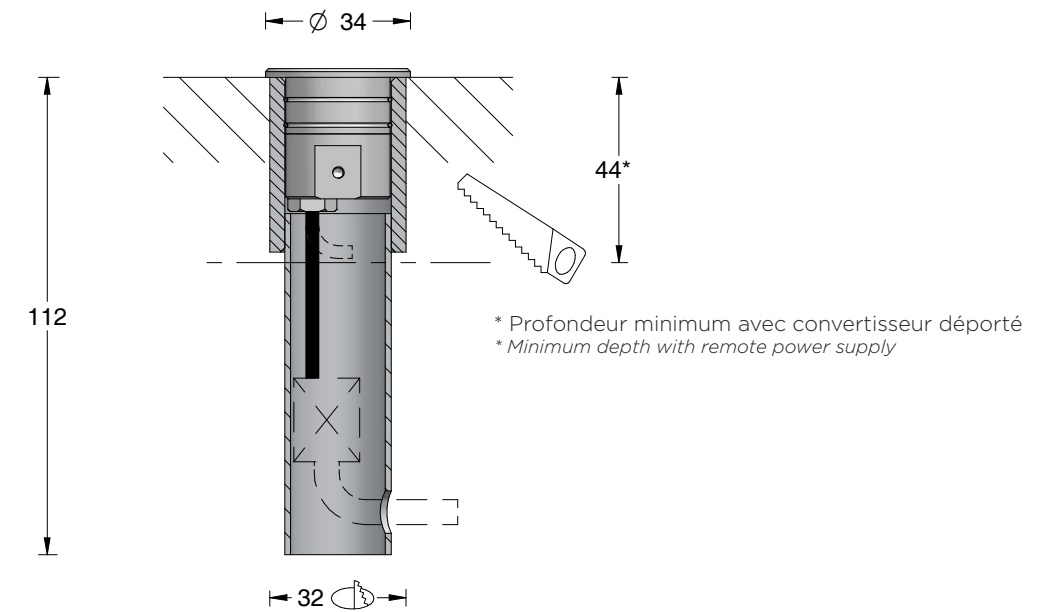


Source / Source	1 LED 3-SDCM - L90B10@100.000hr
T° de couleur / Color T°	Monochrome
Flux produit / Product flux ¹	124lm
Efficacité / Efficacy	-113lm/W
Optique / Optic	18° / 24° / 30° / 37° / 53° / EL(20°x44°)
Orientable / Adjustable	Non / No
Puissance / Power	1.1W_max
Alimentation / Power supply	350mA_max
Classe énergie / Energy class	D
Pilotage / Control ²	On-Off / 1-10V / DALI (Déporté / Remote)
Câblage / Cables ³	1ml standard - 2x0.22mm ² noir
Options / Options	

¹ 3000K-18° en sortie produit / 3000K-18° at product output

² A commander séparément selon driver / To order separately with adequate driver

³ Certifié usage extérieur / Certified for outdoor use



- Le plus petit encastré de la gamme (Ø34mm) / The smallest recessed luminaire of the range (Ø34mm)
- Idéal pour éclairage ponctuel et discret / Ideal for occasional and discreet lighting



T° couleur Color T°	Optique Optic	Flux* Flux*	Puissance** Power**	350mA
2700K	SP (18°)	112lm	1.1W	E21.312.006.0
2700K	SP (24°)	111lm	1.1W	E21.312.008.0
2700K	FL (30°)	111lm	1.1W	E21.412.008.0
2700K	FL (37°)	110lm	1.1W	E21.412.006.0
2700K	WFL (53°)	107lm	1.1W	E21.512.006.0
2700K	EL (20°x44°)	85lm	1.1W	E21.912.000.0
3000K	SP (18°)	124lm	1.1W	E21.312.007.0
3000K	SP (24°)	123lm	1.1W	E21.312.009.0
3000K	FL (30°)	124lm	1.1W	E21.412.009.0
3000K	FL (37°)	119lm	1.1W	E21.412.007.0
3000K	WFL (53°)	116lm	1.1W	E21.512.007.0
3000K	EL (20°x44°)	102lm	1.1W	E21.912.001.0
4000K	SP (18°)	126lm	1.1W	E21.322.006.0
4000K	SP (24°)	125lm	1.1W	E21.322.007.0
4000K	FL (30°)	126lm	1.1W	E21.422.007.0
4000K	FL (37°)	123lm	1.1W	E21.422.006.0
4000K	WFL (53°)	120lm	1.1W	E21.522.006.0
4000K	EL (20°x44°)	106lm	1.1W	E21.922.000.0



T° couleur Color T°	Optique Optic	Flux* Flux*	Puissance** Power**	350mA
2700K	SP (18°)	112lm	1.1W	E22.312.010.0
2700K	SP (24°)	111lm	1.1W	E22.312.012.0
2700K	FL (30°)	111lm	1.1W	E22.412.012.0
2700K	FL (37°)	110lm	1.1W	E22.412.010.0
2700K	WFL (53°)	107lm	1.1W	E22.512.010.0
2700K	EL (20°x44°)	85lm	1.1W	E22.912.000.0
3000K	SP (18°)	124lm	1.1W	E22.312.011.0
3000K	SP (24°)	123lm	1.1W	E22.312.013.0
3000K	FL (30°)	124lm	1.1W	E22.412.013.0
3000K	FL (37°)	119lm	1.1W	E22.412.011.0
3000K	WFL (53°)	116lm	1.1W	E22.512.011.0
3000K	EL (20°x44°)	102lm	1.1W	E22.912.001.0
4000K	SP (18°)	126lm	1.1W	E22.322.010.0
4000K	SP (24°)	125lm	1.1W	E22.322.011.0
4000K	FL (30°)	126lm	1.1W	E22.422.011.0
4000K	FL (37°)	123lm	1.1W	E22.422.010.0
4000K	WFL (53°)	120lm	1.1W	E22.522.010.0
4000K	EL (20°x44°)	106lm	1.1W	E22.922.000.0

Dimensions câble / Cable dimensions	
Monochrome	2 x 0.22 mm ² - Ø3.8mm

*Flux en sortie produit / Net luminaire output
**Puissance max / Maximum power



T° couleur Color T°	Optique Optic	Flux* Flux*	Puissance** Power**	350mA
2700K	SP (18°)	112lm	1.1W	E23.312.002.0
2700K	SP (24°)	111lm	1.1W	E23.312.004.0
2700K	FL (30°)	111lm	1.1W	E23.412.004.0
2700K	FL (37°)	110lm	1.1W	E23.412.002.0
2700K	WFL (53°)	107lm	1.1W	E23.512.002.0
2700K	EL (20°x44°)	85lm	1.1W	E23.912.000.0
3000K	SP (18°)	124lm	1.1W	E23.312.003.0
3000K	SP (24°)	123lm	1.1W	E23.312.005.0
3000K	FL (30°)	124lm	1.1W	E23.412.005.0
3000K	FL (37°)	119lm	1.1W	E23.412.003.0
3000K	WFL (53°)	116lm	1.1W	E23.512.003.0
3000K	EL (20°x44°)	102lm	1.1W	E23.912.001.0
4000K	SP (18°)	126lm	1.1W	E23.322.002.0
4000K	SP (24°)	125lm	1.1W	E23.322.003.0
4000K	FL (30°)	126lm	1.1W	E23.422.003.0
4000K	FL (37°)	123lm	1.1W	E23.422.002.0
4000K	WFL (53°)	120lm	1.1W	E23.522.002.0
4000K	EL (20°x44°)	106lm	1.1W	E23.922.000.0

OPTIONS PRODUIT / Luminaire options	Référence
T° couleur LED / LED colour temperature	Sur demande / On request
Câble supplémentaire / Additional cable	T00.000.007.0
RAL spécial / Special RAL	Sur demande / On request
Connecteur IP68 / IP68 connector	T00.000.078.0
Kit connexion IP68 / IP68 connection kit	T00.000.000.0
Filtre strié / Blade filter	T00.000.085.0
Grille nid d'abeille / Honeycomb grid	T00.000.081.0
Verre dépoli / Frosted glass	T00.000.084.0

Dimensions câble / Cable dimensions	
Monochrome	2 x 0.22 mm ² - Ø3.8mm

*Flux en sortie produit / Net luminaire output
**Puissance max / Maximum power