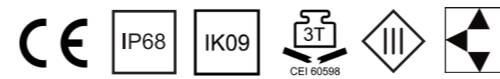
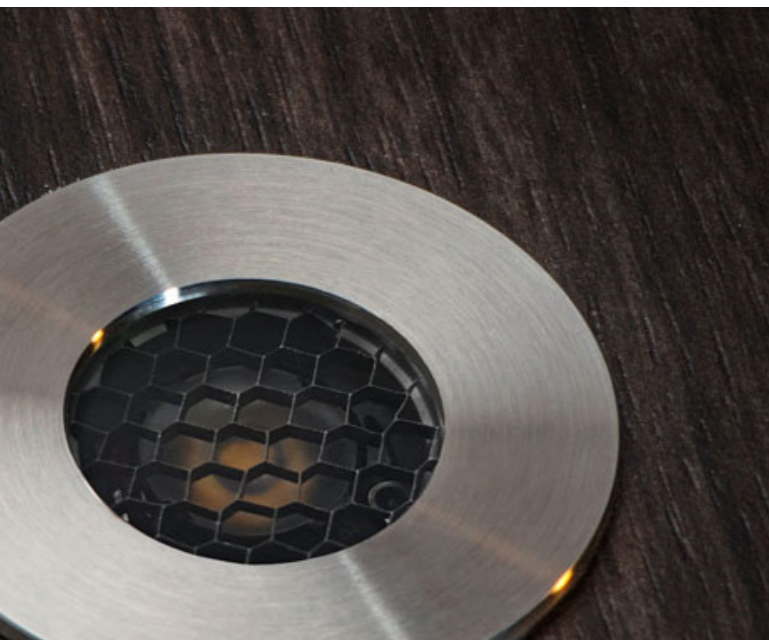


MICRO



Encastré de sol 1 LED (sans vis apparente)

1 LED Ground recess (without visible screw)

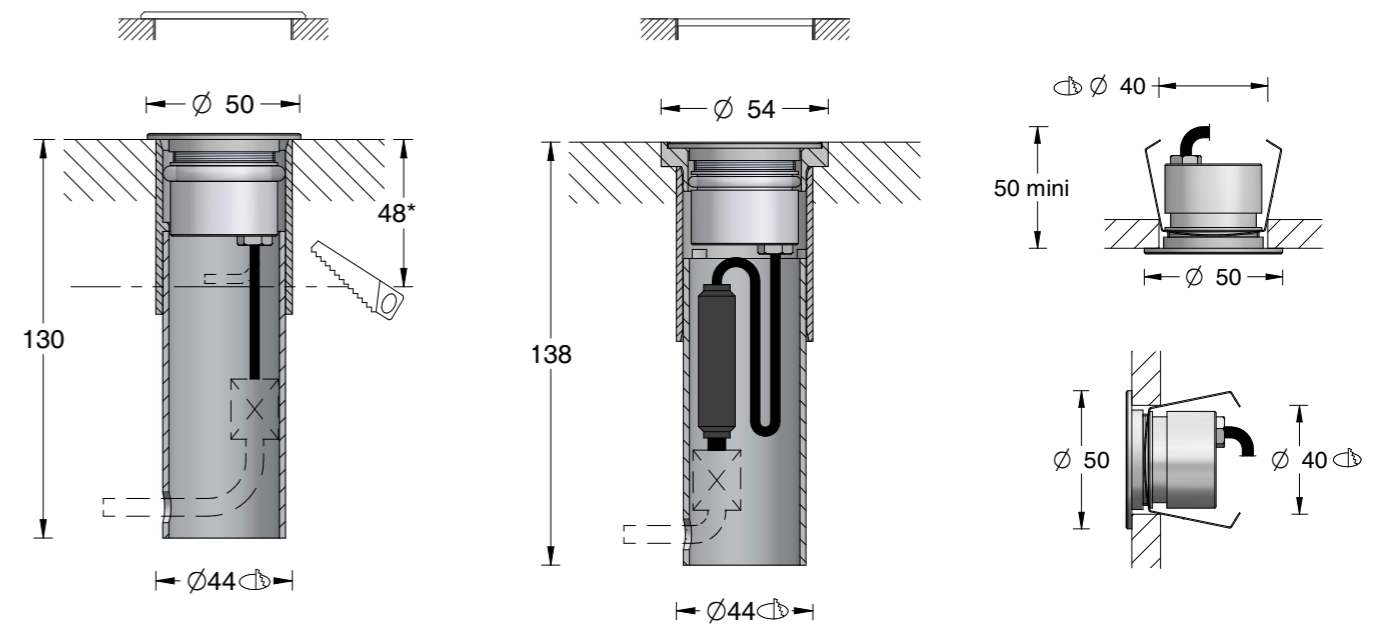


Source / Source	1 LED 3-SDCM - L90B10@100.000hr	
T° de couleur / Color T°	Monochrome	
Flux produit / Product flux¹	167lm	
Efficacité / Efficacy	-124lm/W	-94lm/W
Optique / Optic	12° / 24° / 30° / 50°	
Orientable / Adjustable	Non / No	
Puissance / Power	1.6W_max	2.1W_max
Alimentation / Power supply	500mA_max	12-24VDC
Classe énergie / Energy class	D	F
Pilotage / Control²	On-Off / 1-10V / DALI (Déporté / Remote)	
Câblage / Cables³	1ml standard - 2x0.22mm ² noir	1ml standard - 2x0.5mm ² noir
Options / Options		

¹ 3000K-12° en sortie produit / 3000K-12° at product output

² A commander séparément selon driver / To order separately with adequate driver

³ Certifié usage extérieur / Certified for outdoor use



* Profondeur minimum avec convertisseur déporté
* Minimum depth with remote power supply

Alimentation 12-24VDC intégrée
Integrated 12-24VDC power supply

MICRO SPRING
(Cloisons creuses / Hollow partition)

- Idéal pour éclairage ponctuel et discret / Ideal for occasional and discreet lighting



T° couleur Color T°	Optique Optic	Flux* Flux*	Puissance** Power**	500mA	Flux* Flux*	Puissance** Power**	12-24VDC
2700K	NSP (12°)	152lm	1.6W	E21.212.006.0	152lm	2.1W	E21.212.007.0
2700K	SP (24°)	153lm	1.6W	E21.312.010.0	153lm	2.1W	E21.312.011.0
2700K	FL (30°)	146lm	1.6W	E21.412.010.0	146lm	2.1W	E21.412.011.0
2700K	WFL (50°)	132lm	1.6W	E21.512.008.0	132lm	2.1W	E21.512.009.0
3000K	NSP (12°)	164lm	1.6W	E21.212.000.0	164lm	2.1W	E21.212.003.0
3000K	SP (24°)	165lm	1.6W	E21.312.000.0	165lm	2.1W	E21.312.003.0
3000K	FL (30°)	158lm	1.6W	E21.412.000.0	158lm	2.1W	E21.412.003.0
3000K	WFL (50°)	143lm	1.6W	E21.512.000.0	143lm	2.1W	E21.512.003.0
4000K	NSP (12°)	170lm	1.6W	E21.222.000.0	170lm	2.1W	E21.222.003.0
4000K	SP (24°)	171lm	1.6W	E21.322.000.0	171lm	2.1W	E21.322.003.0
4000K	FL (30°)	163lm	1.6W	E21.422.000.0	163lm	2.1W	E21.422.003.0
4000K	WFL (50°)	148lm	1.6W	E21.522.000.0	148lm	2.1W	E21.522.003.0



T° couleur Color T°	Optique Optic	Flux* Flux*	Puissance** Power**	500mA	Flux* Flux*	Puissance** Power**	12-24VDC
2700K	NSP (12°)	152lm	1.6W	E11.212.002.0	152lm	2.1W	E11.212.003.0
2700K	SP (24°)	153lm	1.6W	E11.312.002.0	153lm	2.1W	E11.312.003.0
2700K	FL (30°)	146lm	1.6W	E11.412.002.0	146lm	2.1W	E11.412.003.0
2700K	WFL (50°)	132lm	1.6W	E11.512.002.0	132lm	2.1W	E11.512.003.0
3000K	NSP (12°)	164lm	1.6W	E11.212.000.0	164lm	2.1W	E11.212.001.0
3000K	SP (24°)	165lm	1.6W	E11.312.000.0	165lm	2.1W	E11.312.001.0
3000K	FL (30°)	158lm	1.6W	E11.412.000.0	158lm	2.1W	E11.412.001.0
3000K	WFL (50°)	143lm	1.6W	E11.512.000.0	143lm	2.1W	E11.512.001.0
4000K	NSP (12°)	170lm	1.6W	E11.222.000.0	170lm	2.1W	E11.222.001.0
4000K	SP (24°)	171lm	1.6W	E11.322.000.0	171lm	2.1W	E11.322.001.0
4000K	FL (30°)	163lm	1.6W	E11.422.000.0	163lm	2.1W	E11.422.001.0
4000K	WFL (50°)	148lm	1.6W	E11.522.000.0	148lm	2.1W	E11.522.001.0

*Flux en sortie produit / Net luminaire output
 **Puissance max / Maximum power

Dimensions câbles / Cable dimensions	
500mA_max	2 x 0.22 mm ² - Ø3.8mm
12-24VDC	2 x 0.5 mm ² - Ø5.8mm



T° couleur Color T°	Optique Optic	Flux* Flux*	Puissance** Power**	500mA	Flux* Flux*	Puissance** Power**	12-24VDC
2700K	NSP (12°)	152lm	1.6W	E22.212.010.0	152lm	2.1W	E22.212.011.0
2700K	SP (24°)	153lm	1.6W	E22.312.014.0	153lm	2.1W	E22.312.015.0
2700K	FL (30°)	146lm	1.6W	E22.412.014.0	146lm	2.1W	E22.412.015.0
2700K	WFL (50°)	132lm	1.6W	E22.512.012.0	132lm	2.1W	E22.512.013.0
3000K	NSP (12°)	164lm	1.6W	E22.212.000.0	164lm	2.1W	E22.212.005.0
3000K	SP (24°)	165lm	1.6W	E22.312.000.0	165lm	2.1W	E22.312.005.0
3000K	FL (30°)	158lm	1.6W	E22.412.000.0	158lm	2.1W	E22.412.005.0
3000K	WFL (50°)	143lm	1.6W	E22.512.000.0	143lm	2.1W	E22.512.005.0
4000K	NSP (12°)	170lm	1.6W	E22.222.000.0	170lm	2.1W	E22.222.005.0
4000K	SP (24°)	171lm	1.6W	E22.322.000.0	171lm	2.1W	E22.322.005.0
4000K	FL (30°)	163lm	1.6W	E22.422.000.0	163lm	2.1W	E22.422.005.0
4000K	WFL (50°)	148lm	1.6W	E22.522.000.0	148lm	2.1W	E22.522.005.0



T° couleur Color T°	Optique Optic	Flux* Flux*	Puissance** Power**	500mA	Flux* Flux*	Puissance** Power**	12-24VDC
2700K	NSP (12°)	152lm	1.6W	E12.212.002.0	152lm	2.1W	E12.212.003.0
2700K	SP (24°)	153lm	1.6W	E12.312.002.0	153lm	2.1W	E12.312.003.0
2700K	FL (30°)	146lm	1.6W	E12.412.002.0	146lm	2.1W	E12.412.003.0
2700K	WFL (50°)	132lm	1.6W	E12.512.002.0	132lm	2.1W	E12.512.003.0
3000K	NSP (12°)	164lm	1.6W	E12.212.000.0	164lm	2.1W	E12.212.001.0
3000K	SP (24°)	165lm	1.6W	E12.312.000.0	165lm	2.1W	E12.312.001.0
3000K	FL (30°)	158lm	1.6W	E12.412.000.0	158lm	2.1W	E12.412.001.0
3000K	WFL (50°)	143lm	1.6W	E12.512.000.0	143lm	2.1W	E12.512.001.0
4000K	NSP (12°)	170lm	1.6W	E12.222.000.0	170lm	2.1W	E12.222.001.0
4000K	SP (24°)	171lm	1.6W	E12.322.000.0	171lm	2.1W	E12.322.001.0
4000K	FL (30°)	163lm	1.6W	E12.422.000.0	163lm	2.1W	E12.422.001.0
4000K	WFL (50°)	148lm	1.6W	E12.522.000.0	148lm	2.1W	E12.522.001.0

Dimensions câbles / Cable dimensions	
500mA_max	2 x 0.22 mm ² - Ø3.8mm
12-24VDC	2 x 0.5 mm ² - Ø5.8mm

*Flux en sortie produit / Net luminaire output
 **Puissance max / Maximum power



T° couleur Color T°	Optique Optic	Flux* Flux*	Puissance** Power**	500mA	Flux* Flux*	Puissance** Power**	12-24VDC
2700K	NSP (12°)	152lm	1.6W	E23.212.002.0	152lm	2.1W	E23.212.003.0
2700K	SP (24°)	153lm	1.6W	E23.312.006.0	153lm	2.1W	E23.312.007.0
2700K	FL (30°)	146lm	1.6W	E23.412.006.0	146lm	2.1W	E23.412.007.0
2700K	WFL (50°)	132lm	1.6W	E23.512.004.0	132lm	2.1W	E23.512.005.0
3000K	NSP (12°)	164lm	1.6W	E23.212.000.0	164lm	2.1W	E23.212.001.0
3000K	SP (24°)	165lm	1.6W	E23.312.000.0	165lm	2.1W	E23.312.001.0
3000K	FL (30°)	158lm	1.6W	E23.412.000.0	158lm	2.1W	E23.412.001.0
3000K	WFL (50°)	143lm	1.6W	E23.512.000.0	143lm	2.1W	E23.512.001.0
4000K	NSP (12°)	170lm	1.6W	E23.222.000.0	170lm	2.1W	E23.222.001.0
4000K	SP (24°)	171lm	1.6W	E23.322.000.0	171lm	2.1W	E23.322.001.0
4000K	FL (30°)	163lm	1.6W	E23.422.000.0	163lm	2.1W	E23.422.001.0
4000K	WFL (50°)	148lm	1.6W	E23.522.000.0	148lm	2.1W	E23.522.001.0

OPTIONS PRODUIT / Luminaire options	Référence
T° couleur LED / LED colour temperature	Sur demande / On request
Câble supplémentaire / Additional cable	T00.000.007.0
RAL spécial / Special RAL	Sur demande / On request
Connecteur IP68 / IP68 connector	T00.000.078.0
Kit connexion IP68 / IP68 connection kit	T00.000.000.0
Filtre strié / Blade filter	T00.000.106.0
Grille nid d'abeille / Honeycomb grid	T00.000.030.0
Verre dépoli / Frosted glass	T00.000.107.0

Dimensions câbles / Cable dimensions	
500mA_max	2 x 0.22 mm ² - Ø3.8mm
12-24VDC	2 x 0.5 mm ² - Ø5.8mm