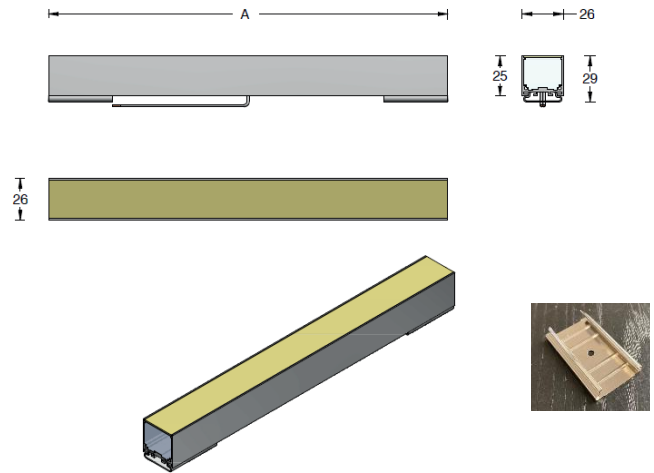


LTX-LINE

Big modular Linear LED line for outdoor use



- . **Material :** Anodized alum, polyurethane
- . **Fixing :** Mechanical clips
- . **Source :** 48 – 112 LED/ml – 3 SDCM – L70B50 @ 50.000hr
- . **Colour T° :** 2700K / 3000K / 4000K - Other possible temperatures, contact us.
RGBW
- . **Product Flux :** 70 – 528 lm/m (3000K)
- . **Efficacy :** 29 lm/W
- . **CRI :** 80+ / 90+
- . **Optic :** 112°
- . **Adjustable :** No
- . **Dimensions :** 26 mm x 25 mm (L_{max} = 10 m)
- . **Weight :** -
- . **Operating T° :** -25°C to +50°C
- . **Protection :** IP67
- . **Resistant :** UV
- . **Impact :** -
- . **Drive Over :** -
- . **High Pressure :** No
- . **Protection :** Classe III
- . **Power :** 2,4 – 18,2 W/ml
- . **Power supply :** 24VDC
- . **Driver :** Remote
- . **Control :** On-Off / 1-10V* / DALI* / DMX* (with adequate driver)
*Optional control through smartphone bluetooth CASAMBI
- . **Cable :** 150mm – 2000mm
- . **Energy class :** G
- . **Norms :** EN 62031 / ETL
- . **Warranty :** 2 years standard