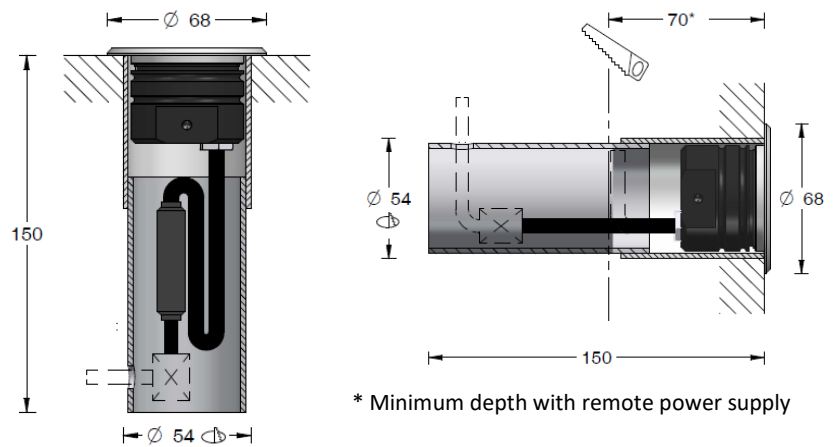
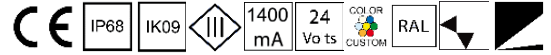


TIKI

1 LED Asymmetrical recessed luminaire



- . Material: Body in anodized Aluminium
Aluminium – Stainless Steel 316L - Brass
- . Fixing : Tempered glass extra white
Wall or ground recess
- . LED Source: 1 LED 3-SDCM - L90B10@100.000hr
- . Color T° : 2700K / 3000K / 4000K - Other possible temperatures, contact us.
- . Product flux : 430lm (at 3000K-Asy_12°)
- . Efficacy : 108lm/W
- . CRI : 80+ / 90+
- . Optic : ASY_12° / ASY_24° / ASY_30° / ASY_WW(12°x62°) / ASY_WW(24°x62°) / ASY_172 / ASY_224 / WW(ASY_172)

- . Adjustable : No
- . Dimensions : Ø68mm
- . Weight : 0.170Kg

- . Protection : IP68
- . Impact : IK09
- . Static load : 3T
- . High pressure : No

- . Protection : Classe III
- . Power : 4.5W / 3.8W
- . Voltage : 1400mA / 12-24VDC
- . Driver : Remote
- . Control: On-Off / 1-10V* / DALI* (with adequate driver)
*Optional control through smartphone bluetooth CASAMBI
- . Cables : 1ml standard - (2x0.50mm² noir) – Monochrome

- . Energy class: E / F

- . Norms : NF-EN 60529/60598-1/60598-2-1/60598-2-3/60598-2-5/62471
- . Warranty: 2 years standard