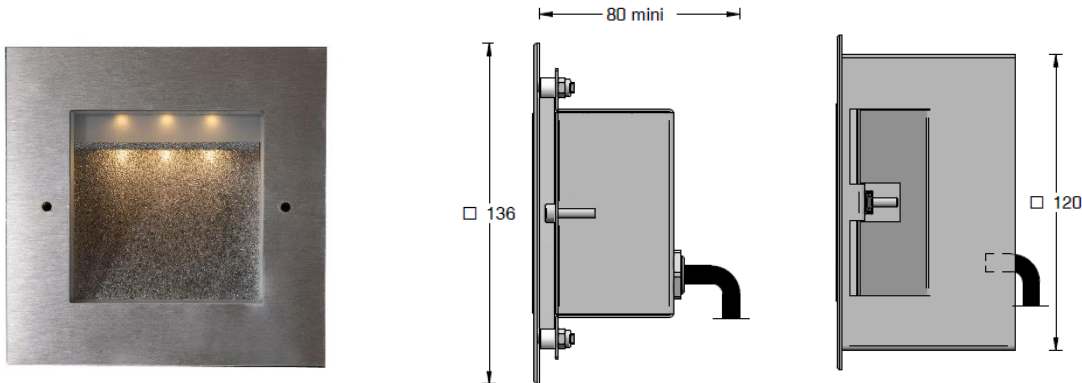
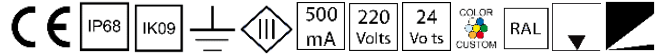


QUADRO

Asymmetrical square recessed luminaire



- . **Material:** Body in Stainless Steel 316L
Stainless Steel 316L - Brass
Tempered glass extra white
- . **Fixing :** Wall or ground recess
- . **LED Source :** 3 LED 3-SDCM - L90B10@100.000hr
- . **Color T° :** 2700K / 3000K / 4000K - Other possible temperatures, contact us.
- . **Product flux :** 423lm (at3000K-Asy_clair)
- . **Efficacy :** 101lm/W
- . **CRI :** 80+ / 90+
- . **Optic :** Asymmetrical

- . **Adjustable :** Non / No
- . **Dimensions :** □ 136mm x 70mm
- . **Weight :** 0.870Kg

- . **Protection :** IP68
- . **Impact :** IK09
- . **Static load :** 1.5T
- . **High pressure :** No

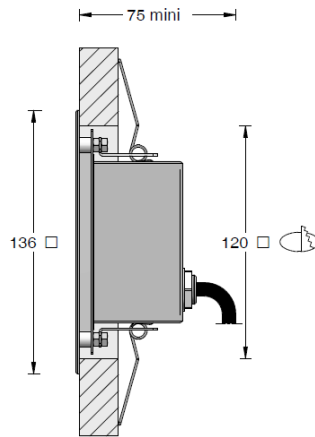
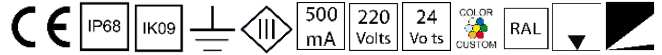
- . **Protection :** Classe I / Classe III
- . **Power :** 4.8W / 4W / 5.4 W
- . **Power supply :** 500mA / 230VAC / 12-24VDC
- . **Driver :** Remote
- . **Control :** On-Off / 1-10V* / DALI* (with adequate driver)
*Optional control through smartphone bluetooth CASAMBI
- . **Cables :** 1ml standard - (3x0.75mm² noir / 2x0.5mm² noir) – Monochrome

- . **Energy class:** F / G

- . **Norms :** NF-EN 60529/60598-1/60598-2-1/60598-2-3/60598-2-5/62471
- . **Warranty:** 2 years standard

QUADRO SPRING

Asymmetrical square recessed luminaire



- . **Material:** Body in Stainless Steel 316L
Stainless Steel 316L - Brass
Tempered glass extra white
- . **Fixing :** Recessed luminaire (hollow partition)
- . **LED Source :** 3 LED 3-SDCM - L90B10@100.000hr
- . **Color T° :** 2700K / 3000K / 4000K - Other possible temperatures, contact us.
- . **Product flux :** 423lm (at3000K-Asy_clair)
- . **Efficacy :** 101lm/W
- . **CRI :** 80+ / 90+
- . **Optic :** Asymmetrical

- . **Adjustable :** Non / No
- . **Dimensions :** □ 136mm x 70mm
- . **Weight :** 0.870Kg

- . **Protection :** IP68
- . **Impact :** IK09
- . **Static load :** 1.5T
- . **High pressure :** No

- . **Protection :** Classe I / Classe III
- . **Power :** 4.8W / 4W / 5.4 W
- . **Power supply :** 500mA / 230VAC / 12-24VDC
- . **Driver :** Remote
- . **Control :** On-Off / 1-10V* / DALI* (with adequate driver)
*Optional control through smartphone bluetooth CASAMBI
- . **Cables :** 1ml standard - (3x0.75mm² noir / 2x0.5mm² noir) – Monochrome

- . **Energy class:** F / G

- . **Norms :** NF-EN 60529/60598-1/60598-2-1/60598-2-3/60598-2-5/62471
- . **Warranty:** 2 years standard