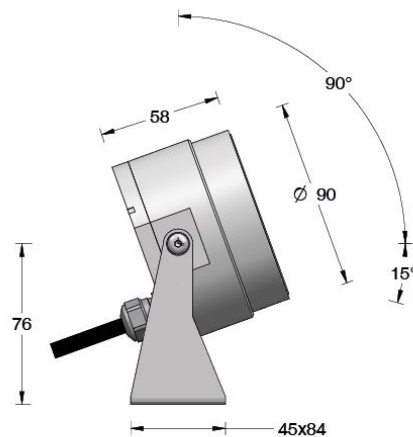
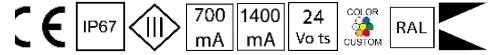


NATIK

1 LED spotlight



- . **Material:** Anodized Aluminium or Stainless steel 316L (Epoxy paint possible)
Tempered glass extra white
- . **Fixing :** On bracket
- . **LED Source :** 1 LED / 1x4 LED 3-SDCM - L90B10@100.000hr
- . **Color T° :** 2700K / 3000K / 4000K - Other possible temperatures, contact us.
DynW / RGBNW
- . **Product flux :** 800lm (at 3000K-8°)
- . **Efficacy :** 91lm/W
- . **CRI :** 80+ / 90+
- . **Optic :** 3° / 8° / 22° / 33°

- . **Adjustable :** Yes
- . **Dimensions :** Ø90mm x 58mm
- . **Weight :** 0.600Kg

- . **Protection :** IP67
- . **Impact :** -
- . **Static load :** -
- . **High pressure :** No

- . **Protection :** Classe III
- . **Power :** 4.5W / 9.3W / 10.4W
- . **Power supply :** 1400mA / 700mA / 24VDC
- . **Driver :** Remote
- . **Control :** On-Off / 1-10V* / DALI* / DMX* (with adequate driver)
*Optional control through smartphone bluetooth CASAMBI
- . **Cables :** 1ml standard (2x0.50mm² noir) - Monochrome
3ml standard (4/8x0.22mm² noir) - DynW / RGBW

- . **Energy class:** F

- . **Norms :** NF-EN 60529/60598-1/60598-2-1/60598-2-3/60598-2-5/62471
- . **Warranty:** 2 years standard