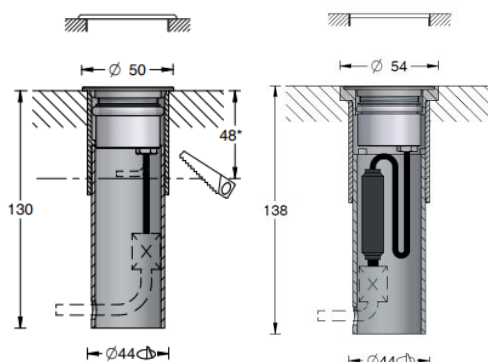
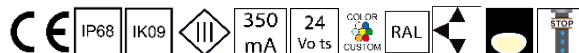




MICRO-D

1 LED recessed luminaire for beaconing (without visible screws)



* Minimum depth with remote power supply

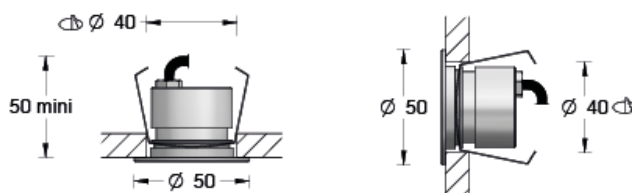
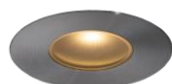
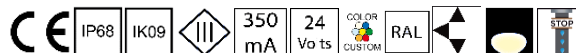
- . **Material:** Body in anodized Aluminium (Epoxy paint possible)
Aluminium - Stainless Steel 316L - Brass
Tempered glass extra white
- . **Fixing :** Ground
- . **LED Source :** 1 LED 3-SDCM - L90B10@100.000hr
- . **Color T° :** 2700K / 3000K / 4000K - Other possible temperatures, contact us.
- . **Product flux :** 63lm (at 3000K-12°)
- . **Efficacy :** 68lm/W (500mA) / 47lm/W (12-24VDC)
- . **CRI :** 80+ / 90+
- . **Optic :** Frosted
- . **Adjustable :** No
- . **Dimensions :** Ø50mm / Ø54mm
- . **Weight :** 0.240Kg
- . **Protection :** IP68
- . **Impact :** IK09
- . **Static load :** 3T
- . **High pressure :** No
- . **Protection :** Classe III
- . **Power :** 1.3W / 1.6W
- . **Power supply :** 350mA / 12-24VDC
- . **Driver :** Remote
- . **Control :** On-Off / 1-10V* / DALI* (with adequate driver)
*Optional control through smartphone bluetooth CASAMBI
- . **Cables :** 1ml standard (2x0.22mm² noir / 2x0.50mm² noir) - Monochrome
- . **Energy class:** G
- . **Norms :** NF-EN 60529/60598-1/60598-2-1/60598-2-3/60598-2-5/62471
- . **Warranty:** 2 years standard





MICRO-D SPRING

1 LED recessed luminaire for beaconing
(without visible screws)



- . **Material:** Body in anodized Aluminium (Epoxy paint possible)
Aluminium - Stainless Steel 316L - Brass
- . **Fixing :** Tempered glass extra white
Recessed luminaire (hollow partition)
- . **LED Source :** 1 LED 3-SDCM - L90B10@100.000hr
- . **Color T° :** 2700K / 3000K / 4000K - Other possible temperatures, contact us.
- . **Product flux :** 63lm (at 3000K-12°)
- . **Efficacy :** 68lm/W (500mA) / 47lm/W (12-24VDC)
- . **CRI :** 80+ / 90+
- . **Optic :** Frosted
- . **Adjustable :** No
- . **Dimensions :** Ø50mm x 50mm
- . **Weight :** 0.240Kg
- . **Protection :** IP68
- . **Impact :** IK09
- . **Static load :** 3T
- . **High pressure :** No
- . **Protection :** Classe III
- . **Power :** 1.3W / 1.6W
- . **Power supply :** 350mA / 12-24VDC
- . **Driver :** Remote
- . **Control :** On-Off / 1-10V* / DALI* (with adequate driver)
*Optional control through smartphone bluetooth CASAMBI
- . **Cables :** 1ml standard (2x0.22mm² noir / 2x0.50mm² noir) - Monochrome
- . **Energy class:** G
- . **Norms :** NF-EN 60529/60598-1/60598-2-1/60598-2-3/60598-2-5/62471
- . **Warranty:** 2 years standard