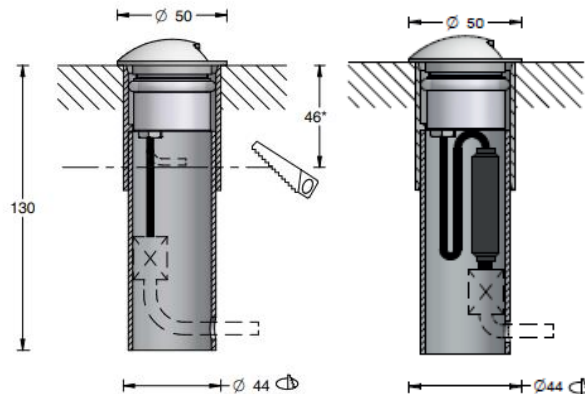
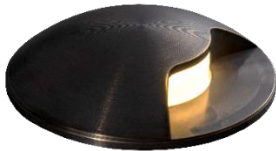
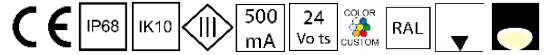


MICRO BALISE

Ground recessed luminaire for beaconing



* Minimum depth with remote power supply

- . **Material:** Body in Stainless Steel 316L
Stainless Steel 316L - Brass
Tempered glass extra white
- . **Fixing :** Ground
- . **LED Source :** 1 LED 3-SDCM - L90B10@100.000hr
- . **Color T° :** 2700K / 3000K / 4000K - Other possible temperatures, contact us.
- . **Product flux :** 20lm (at 3000K)
- . **Efficacy :** 14lm/W
- . **CRI :** 80+ / 90+
- . **Optic :** Clear diffusing

- . **Adjustable :** No
- . **Dimensions :** Ø50mm
- . **Weight :** 0.29Kg

- . **Protection :** IP68
- . **Impact :** IK10
- . **Static load :** 4T
- . **High pressure :** No

- . **Protection :** Classe III
- . **Power :** 1.6W / 2.1W
- . **Power supply :** 500mA / 12-24VDC
- . **Driver :** Remote
- . **Control :** On-Off / 1-10V* / DALI* (with adequate driver)
*Optional control through smartphone bluetooth CASAMBI

- . **Cables :** 1ml standard (2x0.22mm² noir / 2x0.50mm² noir) – Monochrome

- . **Energy class:** G
- . **Norms :** NF-EN 60529/60598-1/60598-2-1/60598-2-3/60598-2-5/62471
- . **Warranty:** 2 years standard