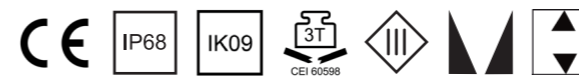


# VEGA



Encastré de sol ou plafond 3 LED

3 LED Ground recessed or ceiling luminaire

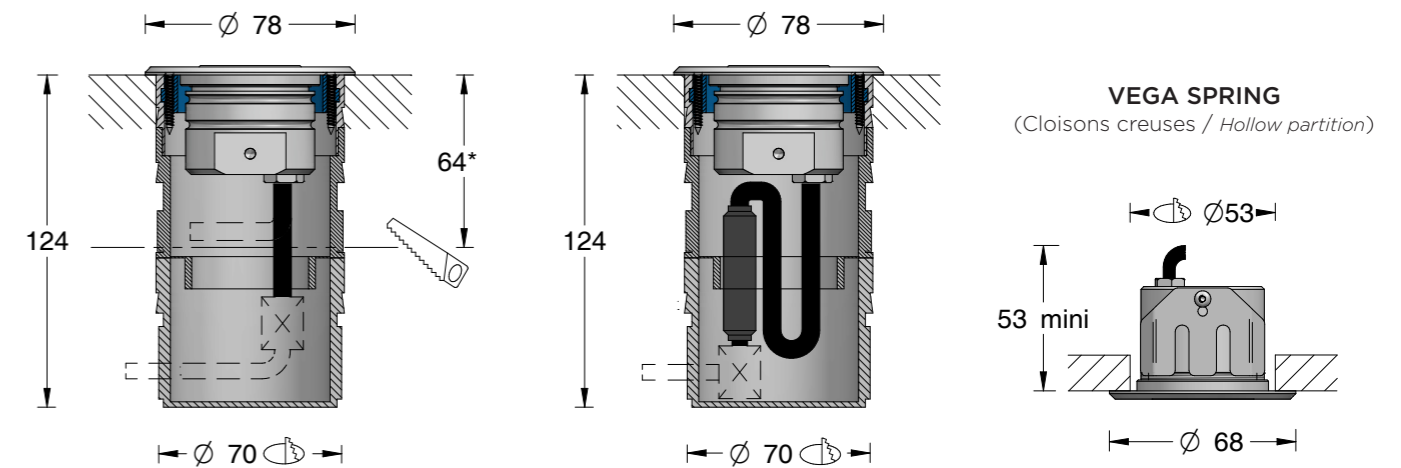


	ALUMINIUM ANODISÉ - LAITON <i>Anodised Aluminium - Brass</i>		INOX 316L <i>Stainless steel</i>	
Source / Source	3 LED 3-SDCM - L90B10@100.000hr			
T° de couleur / Color T°	Monochrome			
Flux produit / Product flux <sup>1</sup>	520lm		385lm	
Efficacité / Efficacy	~ 124lm/W	~ 110lm/W	~ 133lm/W	~ 119lm/W
Optique / Optic	12° / 24° / 30° / 50°			
Orientable / Adjustable	Non / No			
Puissance / Power	4.8W_max	5.4W_max	3.4W_max	3.8W_max
Alimentation / Power supply	500mA_max	12-24VDC	350mA_max	12-24VDC
Classe énergie / Energy class	D	E	D	E
Pilotage / Control <sup>2</sup>	On-Off / 1-10V / DALI (Déporté / Remote)			
Câblage / Cables <sup>3</sup>	1ml standard - 2x0.5mm <sup>2</sup> noir			
Options / Options				

<sup>1</sup> 3000K-12° en sortie produit / 3000K-12° at product output

<sup>2</sup> A commander séparément selon driver / To order separately with adequate driver

<sup>3</sup> Certifié usage extérieur / Certified for outdoor use



\* Profondeur minimum avec convertisseur déporté  
\* Minimum depth with remote power supply

Alimentation 12-24VDC intégrée  
Integrated 12-24VDC power supply

VEGA



ALUMINIUM / Aluminium  

T° couleur Color T°	Optique Optic	Flux* Flux*	Puissance** Power**	500mA	Flux* Flux*	Puissance** Power**	12-24VDC
2700K	NSP (12°)	478lm	4.8W	<a href="#">E21.213.003.0</a>	478lm	5.4W	<a href="#">E21.213.004.0</a>
2700K	SP (24°)	479lm	4.8W	<a href="#">E21.313.003.0</a>	479lm	5.4W	<a href="#">E21.313.004.0</a>
2700K	FL (30°)	457lm	4.8W	<a href="#">E21.413.003.0</a>	457lm	5.4W	<a href="#">E21.413.004.0</a>
2700K	WFL (50°)	415lm	4.8W	<a href="#">E21.513.002.0</a>	415lm	5.4W	<a href="#">E21.513.003.0</a>
3000K	NSP (12°)	520lm	4.8W	<a href="#">E21.213.000.0</a>	520lm	5.4W	<a href="#">E21.213.001.0</a>
3000K	SP (24°)	521lm	4.8W	<a href="#">E21.313.000.0</a>	521lm	5.4W	<a href="#">E21.313.001.0</a>
3000K	FL (30°)	494lm	4.8W	<a href="#">E21.413.000.0</a>	494lm	5.4W	<a href="#">E21.413.001.0</a>
3000K	WFL (50°)	449lm	4.8W	<a href="#">E21.513.000.0</a>	449lm	5.4W	<a href="#">E21.513.001.0</a>
4000K	NSP (12°)	535lm	4.8W	<a href="#">E21.223.000.0</a>	535lm	5.4W	<a href="#">E21.223.001.0</a>
4000K	SP (24°)	536lm	4.8W	<a href="#">E21.323.000.0</a>	536lm	5.4W	<a href="#">E21.323.001.0</a>
4000K	FL (30°)	512lm	4.8W	<a href="#">E21.423.000.0</a>	512lm	5.4W	<a href="#">E21.423.001.0</a>
4000K	WFL (50°)	465lm	4.8W	<a href="#">E21.523.000.0</a>	465lm	5.4W	<a href="#">E21.523.001.0</a>

INOX 316L / Stainless steel  

T° couleur Color T°	Optique Optic	Flux* Flux*	Puissance** Power**	350mA	Flux* Flux*	Puissance** Power**	12-24VDC
2700K	NSP (12°)	352lm	3.4W	<a href="#">E22.213.007.0</a>	352lm	3.8W	<a href="#">E22.213.008.0</a>
2700K	SP (24°)	353lm	3.4W	<a href="#">E22.313.007.0</a>	353lm	3.8W	<a href="#">E22.313.008.0</a>
2700K	FL (30°)	336lm	3.4W	<a href="#">E22.413.007.0</a>	336lm	3.8W	<a href="#">E22.413.008.0</a>
2700K	WFL (50°)	306lm	3.4W	<a href="#">E22.513.006.0</a>	306lm	3.8W	<a href="#">E22.513.007.0</a>
3000K	NSP (12°)	385lm	3.4W	<a href="#">E22.213.000.0</a>	385lm	3.8W	<a href="#">E22.213.003.0</a>
3000K	SP (24°)	386lm	3.4W	<a href="#">E22.313.000.0</a>	386lm	3.8W	<a href="#">E22.313.003.0</a>
3000K	FL (30°)	363lm	3.4W	<a href="#">E22.413.000.0</a>	363lm	3.8W	<a href="#">E22.413.003.0</a>
3000K	WFL (50°)	330lm	3.4W	<a href="#">E22.513.000.0</a>	330lm	3.8W	<a href="#">E22.513.003.0</a>
4000K	NSP (12°)	394lm	3.4W	<a href="#">E22.223.000.0</a>	394lm	3.8W	<a href="#">E22.223.003.0</a>
4000K	SP (24°)	395lm	3.4W	<a href="#">E22.323.000.0</a>	395lm	3.8W	<a href="#">E22.323.003.0</a>
4000K	FL (30°)	377lm	3.4W	<a href="#">E22.423.000.0</a>	377lm	3.8W	<a href="#">E22.423.003.0</a>
4000K	WFL (50°)	342lm	3.4W	<a href="#">E22.523.000.0</a>	342lm	3.8W	<a href="#">E22.523.003.0</a>

LAITON / Brass  

T° couleur Color T°	Optique Optic	Flux* Flux*	Puissance** Power**	500mA	Flux* Flux*	Puissance** Power**	12-24VDC
2700K	NSP (12°)	478lm	4.8W	<a href="#">E23.213.003.0</a>	478lm	5.4W	<a href="#">E23.213.004.0</a>
2700K	SP (24°)	479lm	4.8W	<a href="#">E23.313.003.0</a>	479lm	5.4W	<a href="#">E23.313.004.0</a>
2700K	FL (30°)	457lm	4.8W	<a href="#">E23.413.004.0</a>	457lm	5.4W	<a href="#">E23.413.003.0</a>
2700K	WFL (50°)	415lm	4.8W	<a href="#">E23.513.002.0</a>	415lm	5.4W	<a href="#">E23.513.003.0</a>
3000K	NSP (12°)	520lm	4.8W	<a href="#">E23.213.002.0</a>	520lm	5.4W	<a href="#">E23.213.001.0</a>
3000K	SP (24°)	521lm	4.8W	<a href="#">E23.313.002.0</a>	521lm	5.4W	<a href="#">E23.313.001.0</a>
3000K	FL (30°)	494lm	4.8W	<a href="#">E23.413.002.0</a>	494lm	5.4W	<a href="#">E23.413.001.0</a>
3000K	WFL (50°)	449lm	4.8W	<a href="#">E23.513.001.0</a>	449lm	5.4W	<a href="#">E23.513.000.0</a>
4000K	NSP (12°)	535lm	4.8W	<a href="#">E23.223.001.0</a>	535lm	5.4W	<a href="#">E23.223.000.0</a>
4000K	SP (24°)	536lm	4.8W	<a href="#">E23.323.001.0</a>	536lm	5.4W	<a href="#">E23.323.000.0</a>
4000K	FL (30°)	512lm	4.8W	<a href="#">E23.423.001.0</a>	512lm	5.4W	<a href="#">E23.423.000.0</a>
4000K	WFL (50°)	465lm	4.8W	<a href="#">E23.523.001.0</a>	465lm	5.4W	<a href="#">E23.523.000.0</a>

OPTIONS PRODUIT / Luminaire options	Référence
T° couleur LED / LED colour temperature	<a href="#">Sur demande / On request</a>
Câble supplémentaire / Additional cable	<a href="#">T00.000.007.0</a>
RAL spécial / Special RAL	<a href="#">Sur demande / On request</a>
Connecteur IP68 / IP68 connector	<a href="#">T00.000.078.0</a>
Kit connexion IP68 / IP68 connection kit	<a href="#">T00.000.000.0</a>
Grille nid d'abeille / Honeycomb grid	<a href="#">T00.000.028.0</a>
Verre dépoli / Frosted glass	<a href="#">T00.000.098.0</a>
Réservation inox / Stainless steel reservation	<a href="#">T00.000.027.0</a>
Vis antivol / Anti-theft screw	<a href="#">T00.000.097.0</a>

Dimensions câble / Cable dimensions	
Monochrome	2 x 0.5 mm2 - Ø5.8mm

\*Flux en sortie produit / Net luminaire output  
 \*\*Puissance max / Maximum power