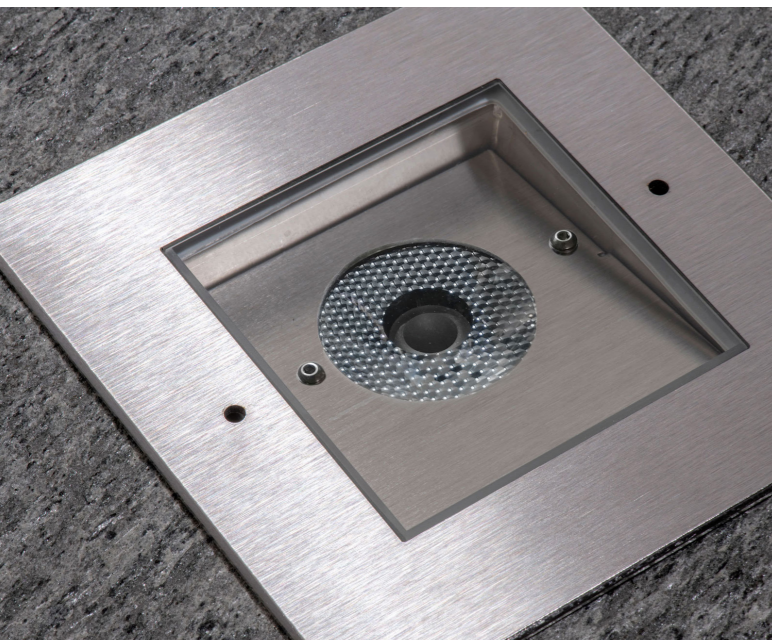


# QUADRO OSTAR



Encastré carré 3 LED (pré-orienté 8°)

3 LED Recessed luminaire (pre-oriented 8°)

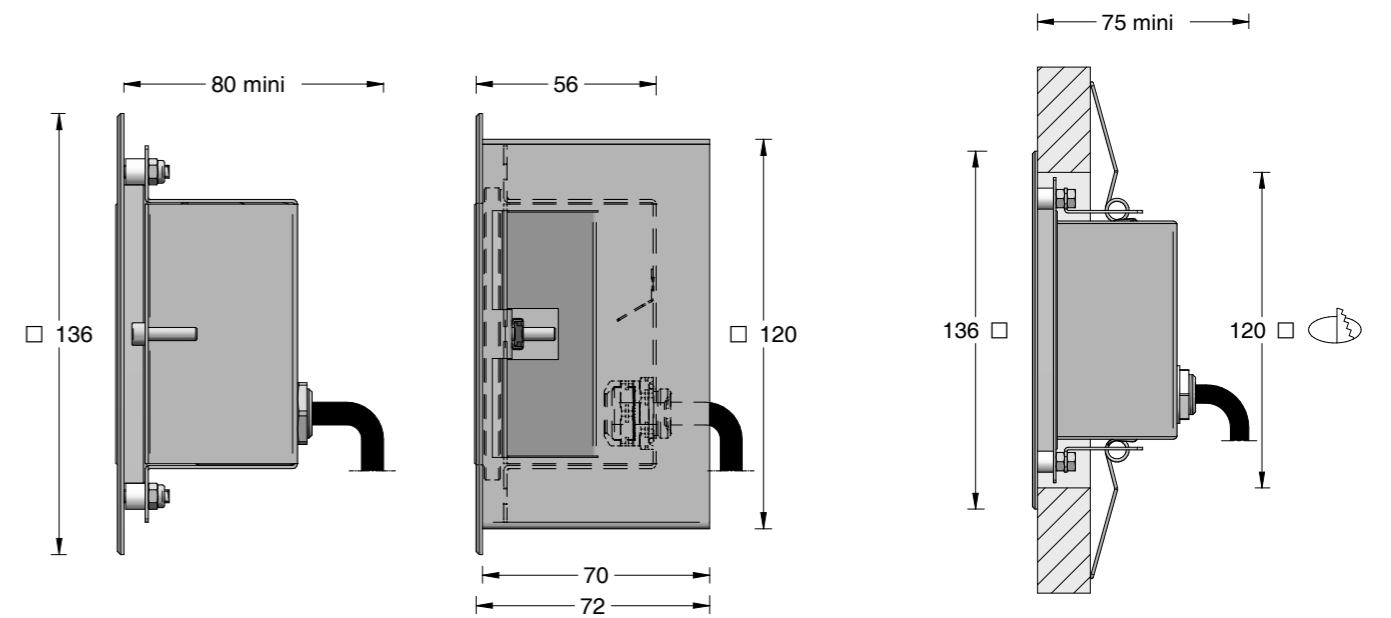


<b>Source / Source</b>	3 LED / 1x4 LED 3-SDCM - L90B10@100.000hr		
<b>T° de couleur / Color T°</b>	Monochrome / DynW / RGBNW		
<b>Flux produit / Product flux<sup>1</sup></b>	520lm		385lm
<b>Efficacité / Efficacy</b>	- 124lm/W	- 110lm/W	- 96lm/W
<b>Optique / Optic</b>	ASY_12° / ASY_24° / ASY_30° / ASY_50°		
<b>Orientable / Adjustable</b>	Non - Préorienté 8° / No - Preoriented 8°		
<b>Puissance / Power</b>	4.8W_max	5.4W_max	4W_max
<b>Alimentation / Power supply</b>	500mA_max	12-24VDC	230VAC
<b>Classe énergie / Energy class</b>	D	E	F
<b>Pilotage / Control<sup>2</sup></b>	On-Off / 1-10V / DALI / DMX (Déporté / Remote)		
<b>Câblage / Cables<sup>3</sup></b>	1ml standard - 3x1mm <sup>2</sup> noir (Monochrome) / 1ml standard - 4/8x0.22mm <sup>2</sup> noir (DynW / RGBNW)		
<b>Options / Options</b>			

<sup>1</sup> 3000K-12° en sortie produit / 3000K-12° at product output

<sup>2</sup> A commander séparément selon driver / To order separately with adequate driver

<sup>3</sup> Certifié usage extérieur / Certified for outdoor use



**QUADRO**  
(Réservations béton / Solid walls)

**QUADRO SPRING**  
(Cloisons creuses / Hollow partition)

- Corps et réservation en Inox 316L / Body and recess box in 316L Stainless steel
- Système d'alimentation intégrée / Power supply system Integrated

# QUADRO OSTAR

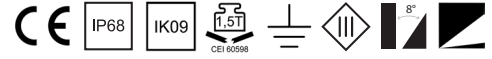
---





# QUADRO OSTAR SPRING

3 LED / 1x4 LED



2024-00

INOX 316L / *Stainless steel*



LED LED	T° couleur Color T°	Optique Optic	Flux* Flux*	Puissance** Power**	500mA	Flux* Flux*	Puissance** Power**	12-24VDC	Flux* Flux*	Puissance** Power**	230VAC
3	2700K	NSP (12°)	478lm	4.8W	<a href="#">F42.213.002.0</a>	478lm	5.4W	<a href="#">F42.213.004.0</a>	352lm	4W	<a href="#">F42.213.001.0</a>
3	2700K	SP (24°)	479lm	4.8W	<a href="#">F42.313.002.0</a>	479lm	5.4W	<a href="#">F42.313.004.0</a>	353lm	4W	<a href="#">F42.313.001.0</a>
3	2700K	FL (30°)	457lm	4.8W	<a href="#">F42.413.002.0</a>	457lm	5.4W	<a href="#">F42.413.004.0</a>	336lm	4W	<a href="#">F42.413.001.0</a>
3	2700K	WFL (50°)	415lm	4.8W	<a href="#">F42.513.002.0</a>	415lm	5.4W	<a href="#">F42.513.004.0</a>	306lm	4W	<a href="#">F42.513.001.0</a>
3	3000K	NSP (12°)	521lm	4.8W	<a href="#">F42.213.003.0</a>	521lm	5.4W	<a href="#">F42.213.005.0</a>	385lm	4W	<a href="#">F42.213.000.0</a>
3	3000K	SP (24°)	494lm	4.8W	<a href="#">F42.313.003.0</a>	494lm	5.4W	<a href="#">F42.313.005.0</a>	386lm	4W	<a href="#">F42.313.000.0</a>
3	3000K	FL (30°)	449lm	4.8W	<a href="#">F42.413.003.0</a>	449lm	5.4W	<a href="#">F42.413.005.0</a>	364lm	4W	<a href="#">F42.413.000.0</a>
3	3000K	WFL (50°)	521lm	4.8W	<a href="#">F42.513.003.0</a>	521lm	5.4W	<a href="#">F42.513.005.0</a>	331lm	4W	<a href="#">F42.513.000.0</a>
3	4000K	NSP (12°)	535lm	4.8W	<a href="#">F42.223.001.0</a>	535lm	5.4W	<a href="#">F42.223.002.0</a>	394lm	4W	<a href="#">F42.223.000.0</a>
3	4000K	SP (24°)	536lm	4.8W	<a href="#">F42.323.001.0</a>	536lm	5.4W	<a href="#">F42.323.002.0</a>	395lm	4W	<a href="#">F42.323.000.0</a>
3	4000K	FL (30°)	512lm	4.8W	<a href="#">F42.423.001.0</a>	512lm	5.4W	<a href="#">F42.423.002.0</a>	377lm	4W	<a href="#">F42.423.000.0</a>
3	4000K	WFL (50°)	465lm	4.8W	<a href="#">F42.523.001.0</a>	465lm	5.4W	<a href="#">F42.523.002.0</a>	342lm	4W	<a href="#">F42.523.000.0</a>
1x4	DynW	NSP (9°)	250-288lm	6W	<a href="#">F42.2X3.001.0</a>						
1x4	DynW	SP (23°)	236-272lm	6W	<a href="#">F42.3X3.001.0</a>						
1x4	DynW	FL (34°)	230-265lm	6W	<a href="#">F42.4X3.001.0</a>						
1x4	RGBNW	NSP (9°)	26-125-46-136lm	6.3W	<a href="#">F42.2Z4.000.0</a>						
1x4	RGBNW	SP (23°)	25-118-43-128lm	6.3W	<a href="#">F42.3Z4.000.0</a>						
1x4	RGBNW	FL (34°)	24-115-42-125lm	6.3W	<a href="#">F42.4Z4.000.0</a>						

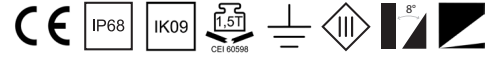
\*Flux en sortie produit / *Net luminaire output*  
 \*\*Puissance max / *Maximum power*

Dimensions câbles / <i>Cable dimensions</i>	
500mA_max / 12-24VDC	2 x 0.75 mm2 - Ø7mm
230VAC	3 x 1 mm2 - Ø8.9mm



# QUADRO OSTAR SPRING

3 LED / 1x4 LED



2024-00

LAITON / Brass 

LED LED	T° couleur Color T°	Optique Optic	Flux* Flux*	Puissance** Power**	500mA	Flux* Flux*	Puissance** Power**	12-24VDC	Flux* Flux*	Puissance** Power**	230VAC
3	2700K	NSP (12°)	478lm	4.8W	<a href="#">F43.213.002.0</a>	478lm	5.4W	<a href="#">F43.213.004.0</a>	352lm	4W	<a href="#">F43.213.001.0</a>
3	2700K	SP (24°)	479lm	4.8W	<a href="#">F43.313.002.0</a>	479lm	5.4W	<a href="#">F43.313.004.0</a>	353lm	4W	<a href="#">F43.313.001.0</a>
3	2700K	FL (30°)	457lm	4.8W	<a href="#">F43.413.002.0</a>	457lm	5.4W	<a href="#">F43.413.004.0</a>	336lm	4W	<a href="#">F43.413.001.0</a>
3	2700K	WFL (50°)	415lm	4.8W	<a href="#">F43.513.002.0</a>	415lm	5.4W	<a href="#">F43.513.004.0</a>	306lm	4W	<a href="#">F43.513.001.0</a>
3	3000K	NSP (12°)	449lm	4.8W	<a href="#">F43.213.003.0</a>	449lm	5.4W	<a href="#">F43.213.005.0</a>	385lm	4W	<a href="#">F43.213.000.0</a>
3	3000K	SP (24°)	521lm	4.8W	<a href="#">F43.313.003.0</a>	521lm	5.4W	<a href="#">F43.313.005.0</a>	386lm	4W	<a href="#">F43.313.000.0</a>
3	3000K	FL (30°)	494lm	4.8W	<a href="#">F43.413.003.0</a>	494lm	5.4W	<a href="#">F43.413.005.0</a>	364lm	4W	<a href="#">F43.413.000.0</a>
3	3000K	WFL (50°)	449lm	4.8W	<a href="#">F43.513.003.0</a>	449lm	5.4W	<a href="#">F43.513.005.0</a>	331lm	4W	<a href="#">F43.513.000.0</a>
3	4000K	NSP (12°)	535lm	4.8W	<a href="#">F43.223.001.0</a>	535lm	5.4W	<a href="#">F43.223.002.0</a>	394lm	4W	<a href="#">F43.223.000.0</a>
3	4000K	SP (24°)	536lm	4.8W	<a href="#">F43.323.001.0</a>	536lm	5.4W	<a href="#">F43.323.002.0</a>	395lm	4W	<a href="#">F43.323.000.0</a>
3	4000K	FL (30°)	512lm	4.8W	<a href="#">F43.423.001.0</a>	512lm	5.4W	<a href="#">F43.423.002.0</a>	377lm	4W	<a href="#">F43.423.000.0</a>
3	4000K	WFL (50°)	465lm	4.8W	<a href="#">F43.523.001.0</a>	465lm	5.4W	<a href="#">F43.523.002.0</a>	342lm	4W	<a href="#">F43.523.000.0</a>
1x4	DynW	NSP (9°)	250-288lm	6W	<a href="#">F43.2X3.001.0</a>						
1x4	DynW	SP (23°)	236-272lm	6W	<a href="#">F43.3X3.001.0</a>						
1x4	DynW	FL (34°)	230-265lm	6W	<a href="#">F43.4X3.001.0</a>						
1x4	RGBNW	NSP (9°)	26-125-46-136lm	6.3W	<a href="#">F43.2Z4.000.0</a>						
1x4	RGBNW	SP (23°)	25-118-43-128lm	6.3W	<a href="#">F43.3Z4.000.0</a>						
1x4	RGBNW	FL (34°)	24-115-42-125lm	6.3W	<a href="#">F43.4Z4.000.0</a>						

OPTIONS PRODUIT / Luminaire options	Référence
T° couleur LED / LED colour temperature	<a href="#">Sur demande / On request</a>
Câble supplémentaire / Additional cable	<a href="#">T00.000.007.0</a>
RAL spécial / Special RAL	<a href="#">Sur demande / On request</a>
Connecteur IP68 / IP68 connector	<a href="#">T00.000.078.0</a>
Kit connexion IP68 / IP68 connection kit	<a href="#">T00.000.000.0</a>
Verre polycarbonate / Polycarbonate glass	<a href="#">T00.000.010.0</a>

Dimensions câbles / Cable dimensions	
500mA_max / 12-24VDC	2 x 0.75 mm <sup>2</sup> - Ø7mm
230VAC	3 x 1 mm <sup>2</sup> - Ø8.9mm

\*Flux en sortie produit / Net luminaire output  
 \*\*Puissance max / Maximum power