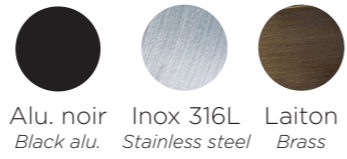


PICO

Projecteur 1 LED
1 LED spotlight

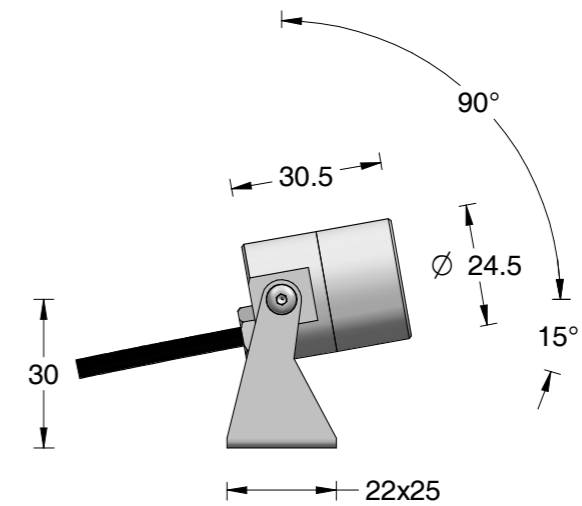


Source / Source	1 LED 3-SDCM - L90B10@100.000hr
T° de couleur / Color T°	Monochrome
Flux produit / Product flux ¹	225lm
Efficacité / Efficacy	- 113lm/W
Optique / Optic	18° / 24° / 30° / 37° / 53° / EL(20°x44°)
Orientable / Adjustable	Oui / Yes
Puissance / Power	2.1W_max
Alimentation / Power supply	700mA_max
Classe énergie / Energy class	E
Pilotage / Control ²	On-Off / 1-10V / DALI (Déporté / Remote)
Câblage / Cables ³	1ml standard - 2x0.22mm ² noir
Options / Options	

¹ 3000K-18° en sortie produit / 3000K-18° at product output

² A commander séparément selon driver / To order separately with adequate driver

³ Certifié usage extérieur / Certified for outdoor use



- Le plus petit projecteur de la gamme (Ø24.5mm) / The smallest spotlight of the range (Ø24.5mm)
- Idéal pour des mises en valeur subtiles et discrètes / Ideal for subtle and discreet highlights

ALUMINIUM NOIR / *Black Aluminium*


T° couleur Color T°	Optique Optic	Flux* Flux*	Puissance** Power**	700mA
2700K	SP (18°)	209lm	2.1W	P11.312.003.0
2700K	SP (24°)	207lm	2.1W	P11.312.005.0
2700K	FL (30°)	205lm	2.1W	P11.412.003.0
2700K	FL (37°)	204lm	2.1W	P11.412.005.0
2700K	WFL (53°)	197lm	2.1W	P11.512.003.0
2700K	EL (20°x44°)	202lm	2.1W	P11.912.003.0
3000K	SP (18°)	225lm	2.1W	P11.312.004.0
3000K	SP (24°)	222lm	2.1W	P11.312.006.0
3000K	FL (30°)	220lm	2.1W	P11.412.004.0
3000K	FL (37°)	219lm	2.1W	P11.412.006.0
3000K	WFL (53°)	211lm	2.1W	P11.512.004.0
3000K	EL (20°x44°)	217lm	2.1W	P11.912.004.0
4000K	SP (18°)	155lm	2.1W	P11.322.003.0
4000K	SP (24°)	253lm	2.1W	P11.322.004.0
4000K	FL (30°)	251lm	2.1W	P11.422.003.0
4000K	FL (37°)	249lm	2.1W	P11.422.004.0
4000K	WFL (53°)	241lm	2.1W	P11.522.003.0
4000K	EL (20°x44°)	247lm	2.1W	P11.922.003.0

 INOX 316L / *Stainless steel*


T° couleur Color T°	Optique Optic	Flux* Flux*	Puissance** Power**	500mA
2700K	SP (18°)	153lm	1.5W	P12.312.005.0
2700K	SP (24°)	151lm	1.5W	P12.312.006.0
2700K	FL (30°)	153lm	1.5W	P12.412.005.0
2700K	FL (37°)	149lm	1.5W	P12.412.006.0
2700K	WFL (53°)	146lm	1.5W	P12.512.002.0
2700K	EL (20°x44°)	129lm	1.5W	P12.912.008.0
3000K	SP (18°)	165lm	1.5W	P12.312.007.0
3000K	SP (24°)	163lm	1.5W	P12.312.008.0
3000K	FL (30°)	164lm	1.5W	P12.412.007.0
3000K	FL (37°)	161lm	1.5W	P12.412.008.0
3000K	WFL (53°)	158lm	1.5W	P12.512.003.0
3000K	EL (20°x44°)	139lm	1.5W	P12.912.009.0
4000K	SP (18°)	171lm	1.5W	P12.322.005.0
4000K	SP (24°)	169lm	1.5W	P12.322.006.0
4000K	FL (30°)	170lm	1.5W	P12.422.005.0
4000K	FL (37°)	167lm	1.5W	P12.422.006.0
4000K	WFL (53°)	163lm	1.5W	P12.522.002.0
4000K	EL (20°x44°)	144lm	1.5W	P12.922.008.0

 Dimensions câble / *Cable dimensions*

Monochrome 2 x 0.22 mm2 - Ø3.8mm

LAITON / Brass 

T° couleur Color T°	Optique Optic	Flux* Flux*	Puissance** Power**	700mA
2700K	SP (18°)	209lm	2.1W	P13.312.004.0
2700K	SP (24°)	207lm	2.1W	P13.312.005.0
2700K	FL (30°)	205lm	2.1W	P13.412.004.0
2700K	FL (37°)	204lm	2.1W	P13.412.005.0
2700K	WFL (53°)	197lm	2.1W	P13.512.004.0
2700K	EL (20°x44°)	202lm	2.1W	P13.912.004.0
3000K	SP (18°)	225lm	2.1W	P13.312.006.0
3000K	SP (24°)	222lm	2.1W	P13.312.007.0
3000K	FL (30°)	220lm	2.1W	P13.412.006.0
3000K	FL (37°)	219lm	2.1W	P13.412.007.0
3000K	WFL (53°)	211lm	2.1W	P13.512.005.0
3000K	EL (20°x44°)	217lm	2.1W	P13.912.005.0
4000K	SP (18°)	155lm	2.1W	P13.322.003.0
4000K	SP (24°)	253lm	2.1W	P13.322.004.0
4000K	FL (30°)	251lm	2.1W	P13.422.003.0
4000K	FL (37°)	249lm	2.1W	P13.422.004.0
4000K	WFL (53°)	241lm	2.1W	P13.522.003.0
4000K	EL (20°x44°)	247lm	2.1W	P13.922.003.0

OPTIONS PRODUIT / Luminaire options	Référence
T° couleur LED / LED colour temperature	Sur demande / On request
Câble supplémentaire / Additional cable	T00.000.007.0
RAL spécial / Special RAL	Sur demande / On request
Connecteur IP68 / IP68 connector	T00.000.078.0
Kit connexion IP68 / IP68 connection kit	T00.000.000.0
Filtre strié / Blade filter	T00.000.085.0
Grille nid d'abeille / Honeycomb grid	T00.000.081.0
Verre dépoli / Frosted glass	T00.000.084.0
Canon / Canon	T00.000.082.0
Piquet (200mm) / Stake (200mm)	T00.000.083.0

Dimensions câble / Cable dimensions	
Monochrome	2 x 0.22 mm ² - Ø3.8mm