

# GEMINI OPTIMA



Projecteur 9 LED

9 LED spotlight

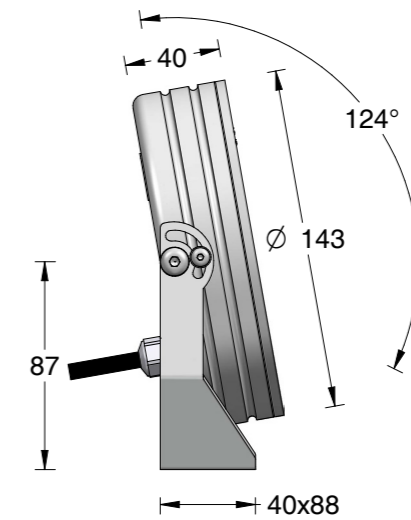


	ALUMINIUM ANODISÉ - LAITON <i>Anodised Aluminium - Brass</i>	INOX 316L <i>Stainless steel</i>
Source / Source	9 LED 3-SDCM - L90B10@100.000hr	
T° de couleur / Color T°	Monochrome / RGB / WWA	
Flux produit / Product flux <sup>1</sup>	2280lm	1690lm
Efficacité / Efficacy	~ 132lm/W	~ 139lm/W
Optique / Optic	12° / 24° / 30° / 50° / WW(12°x62°) / WW(24°x62°)	
Orientable / Adjustable	Oui / Yes	
Puissance / Power	20.2W_max	14.4W_max
Alimentation / Power supply	700mA_max	500mA_max
Classe énergie / Energy class	D	D
Pilotage / Control <sup>2</sup>	On-Off / 1-10V / DALI / DMX (Déporté / Remote)	
Câblage / Cables <sup>3</sup>	1ml standard - 2x0.5mm <sup>2</sup> noir (Monochrome) / 3ml standard - 6x0.22mm <sup>2</sup> noir (RGB)	
Options / Options		

<sup>1</sup> 3000K-12° en sortie produit / 3000K-12° at product output

<sup>2</sup> A commander séparément selon driver / To order separately with adequate driver

<sup>3</sup> Certifié usage extérieur / Certified for outdoor use



# GEMINI OPTIMA





# GEMINI OPTIMA

9 LED



2024-00

ALUMINIUM / Aluminium



T° couleur Color T°	Optique Optic	Flux* Flux*	Puissance** Power**	700mA
2700K	NSP (12°)	2096lm	20.2W	P11.215.002.0
2700K	SP (24°)	2101lm	20.2W	P11.315.002.0
2700K	FL (30°)	2005lm	20.2W	P11.415.002.0
2700K	WFL (50°)	1822lm	20.2W	P11.515.001.0
2700K	WW_NSP (12°x62°)	1845lm	20.2W	P11.815.001.0
2700K	WW_SP (24°x62°)	1849lm	20.2W	P11.915.003.0
3000K	NSP (12°)	2280lm	20.2W	P11.215.000.0
3000K	SP (24°)	2284lm	20.2W	P11.315.000.0
3000K	FL (30°)	2154lm	20.2W	P11.415.000.0
3000K	WFL (50°)	1957lm	20.2W	P11.515.000.0
3000K	WW_NSP (12°x62°)	1981lm	20.2W	P11.815.000.0
3000K	WW_SP (24°x62°)	1986lm	20.2W	P11.915.000.0
4000K	NSP (12°)	2562lm	20.2W	P11.225.000.0
4000K	SP (24°)	2568lm	20.2W	P11.325.000.0
4000K	FL (30°)	2451lm	20.2W	P11.425.000.0
4000K	WFL (50°)	2227lm	20.2W	P11.525.000.0
4000K	WW_NSP (12°x62°)	2255lm	20.2W	P11.825.000.0
4000K	WW_SP (24°x62°)	2260lm	20.2W	P11.925.000.0
RGB	NSP (12°)	282-498-188lm	18.5W	P11.2Y5.000.0
RGB	SP (24°)	286-504-190lm	18.5W	P11.3Y5.000.0
RGB	FL (30°)	279-493-186lm	18.5W	P11.4Y5.000.0
RGB	WFL (50°)	273-481-182lm	18.5W	P11.5Y5.000.0
WWA	NSP (12°)	368-399-173lm	18.5W	P11.2X5.001.0
WWA	SP (24°)	372-409-175lm	18.5W	P11.3X5.001.0
WWA	FL (30°)	363-390-171lm	18.5W	P11.4X5.001.0
WWA	WFL (50°)	355-373-167lm	18.5W	P11.5X5.000.0

\*Flux en sortie produit / Net luminaire output  
\*\*Puissance max / Maximum power

Dimensions câble / Cable dimensions	
Monochrome	2 x 0.5 mm <sup>2</sup> - Ø5.8mm
RGB / WWA	6 x 0.22 mm <sup>2</sup> - Ø7mm



# GEMINI OPTIMA

9 LED



2024-00

INOX 316L / Stainless steel 

T° couleur Color T°	Optique Optic	Flux* Flux*	Puissance** Power**	500mA
2700K	NSP (12°)	1555lm	14.4W	P12.214.002.0
2700K	SP (24°)	1559lm	14.4W	P12.314.002.0
2700K	FL (30°)	1488lm	14.4W	P12.414.002.0
2700K	WFL (50°)	1352lm	14.4W	P12.514.002.0
2700K	WW_NSP (12°x62°)	1369lm	14.4W	P12.814.002.0
2700K	WW_SP (24°x62°)	1372lm	14.4W	P12.914.002.0
3000K	NSP (12°)	1690lm	14.4W	P12.214.000.0
3000K	SP (24°)	1693lm	14.4W	P12.314.000.0
3000K	FL (30°)	1598lm	14.4W	P12.414.000.0
3000K	WFL (50°)	1452lm	14.4W	P12.514.000.0
3000K	WW_NSP (12°x62°)	1470lm	14.4W	P12.814.000.0
3000K	WW_SP (24°x62°)	1473lm	14.4W	P12.914.000.0
4000K	NSP (12°)	1901lm	14.4W	P12.224.000.0
4000K	SP (24°)	1905lm	14.4W	P12.324.000.0
4000K	FL (30°)	1818lm	14.4W	P12.424.000.0
4000K	WFL (50°)	1653lm	14.4W	P12.524.000.0
4000K	WW_NSP (12°x62°)	1673lm	14.4W	P12.824.000.0
4000K	WW_SP (24°x62°)	1677lm	14.4W	P12.924.000.0
RGB	NSP (12°)	210-404-148lm	18.5W	P12.2Y5.000.0
RGB	SP (24°)	213-409-150lm	18.5W	P12.3Y5.000.0
RGB	FL (30°)	208-399-147lm	18.5W	P12.4Y5.000.0
RGB	WFL (50°)	203-390-143lm	18.5W	P12.5Y5.000.0
WWA	NSP (12°)	277-301-141lm	18.5W	P12.2X5.000.0
WWA	SP (24°)	280-308-143lm	18.5W	P12.3X5.000.0
WWA	FL (30°)	274-294-139lm	18.5W	P12.4X5.000.0
WWA	WFL (50°)	268-281-136lm	18.5W	P12.5X5.000.0

\*Flux en sortie produit / Net luminaire output  
\*\*Puissance max / Maximum power

Dimensions câble / Cable dimensions	
Monochrome	2 x 0.5 mm <sup>2</sup> - Ø5.8mm
RGB / WWA	6 x 0.22 mm <sup>2</sup> - Ø7mm



# GEMINI OPTIMA

9 LED



2024-00

LAITON / Brass 

T° couleur Color T°	Optique Optic	Flux* Flux*	Puissance** Power**	700mA
2700K	NSP (12°)	2096lm	20.2W	<a href="#">P13.215.002.0</a>
2700K	SP (24°)	2101lm	20.2W	<a href="#">P13.315.002.0</a>
2700K	FL (30°)	2005lm	20.2W	<a href="#">P13.415.002.0</a>
2700K	WFL (50°)	1822lm	20.2W	<a href="#">P13.515.001.0</a>
2700K	WW_NSP (12°x62°)	1845lm	20.2W	<a href="#">P13.815.001.0</a>
2700K	WW_SP (24°x62°)	1849lm	20.2W	<a href="#">P13.915.003.0</a>
3000K	NSP (12°)	2280lm	20.2W	<a href="#">P13.215.000.0</a>
3000K	SP (24°)	2284lm	20.2W	<a href="#">P13.315.000.0</a>
3000K	FL (30°)	2154lm	20.2W	<a href="#">P13.415.000.0</a>
3000K	WFL (50°)	1957lm	20.2W	<a href="#">P13.515.000.0</a>
3000K	WW_NSP (12°x62°)	1981lm	20.2W	<a href="#">P13.815.000.0</a>
3000K	WW_SP (24°x62°)	1986lm	20.2W	<a href="#">P13.915.000.0</a>
4000K	NSP (12°)	2562lm	20.2W	<a href="#">P13.225.000.0</a>
4000K	SP (24°)	2568lm	20.2W	<a href="#">P13.325.000.0</a>
4000K	FL (30°)	2451lm	20.2W	<a href="#">P13.425.000.0</a>
4000K	WFL (50°)	2227lm	20.2W	<a href="#">P13.525.000.0</a>
4000K	WW_NSP (12°x62°)	2255lm	20.2W	<a href="#">P13.825.000.0</a>
4000K	WW_SP (24°x62°)	2260lm	20.2W	<a href="#">P13.925.000.0</a>
RGB	NSP (12°)	282-498-188lm	18.5W	<a href="#">P13.2Y5.000.0</a>
RGB	SP (24°)	286-504-190lm	18.5W	<a href="#">P13.3Y5.000.0</a>
RGB	FL (30°)	279-493-186lm	18.5W	<a href="#">P13.4Y5.000.0</a>
RGB	WFL (50°)	273-481-182lm	18.5W	<a href="#">P13.5Y5.000.0</a>
WWA	NSP (12°)	368-399-173lm	18.5W	<a href="#">P13.2X5.000.0</a>
WWA	SP (24°)	372-409-175lm	18.5W	<a href="#">P13.3X5.000.0</a>
WWA	FL (30°)	363-390-171lm	18.5W	<a href="#">P13.4X5.000.0</a>
WWA	WFL (50°)	355-373-167lm	18.5W	<a href="#">P13.5X5.000.0</a>

OPTIONS PRODUIT / Luminaire options	Référence
T° couleur LED / LED colour temperature	<a href="#">Sur demande / On request</a>
Câble supplémentaire / Additional cable	<a href="#">T00.000.007.0</a>
RAL spécial / Special RAL	<a href="#">Sur demande / On request</a>
Connecteur IP68 / IP68 connector	<a href="#">T00.000.078.0</a>
Kit connexion IP68 / IP68 connection kit	<a href="#">T00.000.000.0</a>
Filtre strié / Blade filter	<a href="#">T00.000.023.0</a>
Grille nid d'abeille / Honeycomb grid	<a href="#">T00.000.013.0</a>
Verre dépoli / Frosted glass	<a href="#">T00.000.022.0</a>
Casquette aluminium / Aluminium anti-glare cap	<a href="#">T00.000.067.0</a>
Casquette inox / Stainless steel anti-glare cap	<a href="#">T00.000.068.0</a>
Casquette laiton / Brass anti-glare cap	<a href="#">T00.000.069.0</a>
Piquet (200mm) / Stake (200mm)	<a href="#">T00.000.008.0</a>

Dimensions câble / Cable dimensions	
Monochrome	2 x 0.5 mm2 - Ø5.8mm
RGB / WWA	6 x 0.22 mm2 - Ø7mm

\*Flux en sortie produit / Net luminaire output  
 \*\*Puissance max / Maximum power