

GEMINI-III



Alu / Alu Inox 316L / Stainless steel Laiton / Brass



Projecteur 12 LED

12 LED spotlight

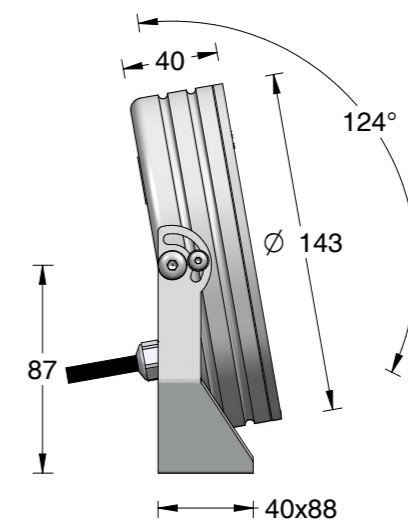


	ALUMINIUM ANODISÉ - LAITON <i>Anodised Aluminium - Brass</i>	INOX 316L <i>Stainless steel</i>
Source / Source	12 LED 3-SDCM - L90B10@100.000hr	
T° de couleur / Color T°	Monochrome / RGBW	
Flux produit / Product flux ¹	3040lm	2250lm
Efficacité / Efficacy	-132lm/W	-139lm/W
Optique / Optic	12° / 24° / 30° / 50° / WW(12°x62°) / WW(24°x62°)	
Orientable / Adjustable	Oui / Yes	
Puissance / Power	27W_max	19.5W_max
Alimentation / Power supply	700mA_max	500mA_max
Classe énergie / Energy class	D	D
Pilotage / Control ²	On-Off / 1-10V / DALI / DMX (Déporté / Remote)	
Câblage / Cables ³	1ml standard - 2x0.5mm ² noir (Monochrome) / 3ml standard - 8x0.22mm ² noir (RGBW)	
Options / Options		

¹ 3000K-12° en sortie produit / 3000K-12° at product output

² A commander séparément selon driver / To order separately with adequate driver

³ Certifié usage extérieur / Certified for outdoor use



GEMINI-III





GEMINI -III

12 LED



2024-00

ALUMINIUM / Aluminium 

T° couleur Color T°	Optique Optic	Flux* Flux*	Puissance** Power**	700mA
2700K	NSP (12°)	2795lm	27W	P11.216.001.0
2700K	SP (24°)	2801lm	27W	P11.316.001.0
2700K	FL (30°)	2674lm	27W	P11.416.001.0
2700K	WFL (50°)	2430lm	27W	P11.516.001.0
2700K	WW_NSP (12°x62°)	2460lm	27W	P11.816.001.0
2700K	WW_SP (24°x62°)	2465lm	27W	P11.916.001.0
3000K	NSP (12°)	3040lm	27W	P11.216.000.0
3000K	SP (24°)	3047lm	27W	P11.316.000.0
3000K	FL (30°)	2872lm	27W	P11.416.000.0
3000K	WFL (50°)	2610lm	27W	P11.516.000.0
3000K	WW_NSP (12°x62°)	2642lm	27W	P11.816.000.0
3000K	WW_SP (24°x62°)	2648lm	27W	P11.916.000.0
4000K	NSP (12°)	3417lm	27W	P11.226.000.0
4000K	SP (24°)	3424lm	27W	P11.326.000.0
4000K	FL (30°)	3268lm	27W	P11.426.000.0
4000K	WFL (50°)	2970lm	27W	P11.526.000.0
4000K	WW_NSP (12°x62°)	3007lm	27W	P11.826.000.0
4000K	WW_SP (24°x62°)	3013lm	27W	P11.926.000.0
RGBW	NSP (12°)	282-498-188-719lm	25.2W	P11.2Z6.000.0
RGBW	SP (24°)	286-504-190-727lm	25.2W	P11.3Z6.000.0
RGBW	FL (30°)	279-493-186-711lm	25.2W	P11.4Z6.000.0
RGBW	WFL (50°)	273-481-182-695lm	25.2W	P11.5Z6.000.0

*Flux en sortie produit / Net luminaire output
**Puissance max / Maximum power

Dimensions câble / Cable dimensions	
Monochrome	2 x 0.5 mm ² - Ø5.8mm
RGBW	8 x 0.22 mm ² - Ø7mm



GEMINI-III

12 LED



2024-00

INOX 316L / Stainless steel 

T° couleur Color T°	Optique Optic	Flux* Flux*	Puissance** Power**	500mA
2700K	NSP (12°)	2074lm	19.2W	P12.214.003.0
2700K	SP (24°)	2079lm	19.2W	P12.314.003.0
2700K	FL (30°)	1984lm	19.2W	P12.414.003.0
2700K	WFL (50°)	1803lm	19.2W	P12.514.003.0
2700K	WW_NSP (12°x62°)	1825lm	19.2W	P12.814.003.0
2700K	WW_SP (24°x62°)	1829lm	19.2W	P12.914.003.0
3000K	NSP (12°)	2250lm	19.2W	P12.214.001.0
3000K	SP (24°)	2255lm	19.2W	P12.314.001.0
3000K	FL (30°)	2131lm	19.2W	P12.414.001.0
3000K	WFL (50°)	1936lm	19.2W	P12.514.001.0
3000K	WW_NSP (12°x62°)	1960lm	19.2W	P12.814.001.0
3000K	WW_SP (24°x62°)	1965lm	19.2W	P12.914.001.0
4000K	NSP (12°)	2535lm	19.2W	P12.224.001.0
4000K	SP (24°)	2541lm	19.2W	P12.324.001.0
4000K	FL (30°)	2425lm	19.2W	P12.424.001.0
4000K	WFL (50°)	2204lm	19.2W	P12.524.001.0
4000K	WW_NSP (12°x62°)	2231lm	19.2W	P12.824.001.0
4000K	WW_SP (24°x62°)	2236lm	19.2W	P12.924.001.0
RGBW	NSP (12°)	210-404-148-536lm	18W	P12.2Z5.000.0
RGBW	SP (24°)	213-409-150-542lm	18W	P12.3Z5.000.0
RGBW	FL (30°)	208-399-147-529lm	18W	P12.4Z5.000.0
RGBW	WFL (50°)	203-390-143-517lm	18W	P12.5Z5.000.0

*Flux en sortie produit / Net luminaire output
**Puissance max / Maximum power

Dimensions câble / Cable dimensions	
Monochrome	2 x 0,5 mm ² - Ø5,8mm
RGBW	8 x 0,22 mm ² - Ø7mm



GEMINI-III

12 LED



2024-00

LAITON / Brass 

T° couleur Color T°	Optique Optic	Flux* Flux*	Puissance** Power**	700mA
2700K	NSP (12°)	2795lm	27W	P13.216.001.0
2700K	SP (24°)	2801lm	27W	P13.316.001.0
2700K	FL (30°)	2674lm	27W	P13.416.001.0
2700K	WFL (50°)	2430lm	27W	P13.516.001.0
2700K	WW_NSP (12°x62°)	2460lm	27W	P13.816.001.0
2700K	WW_SP (24°x62°)	2465lm	27W	P13.916.001.0
3000K	NSP (12°)	3040lm	27W	P13.216.000.0
3000K	SP (24°)	3047lm	27W	P13.316.000.0
3000K	FL (30°)	2872lm	27W	P13.416.000.0
3000K	WFL (50°)	2610lm	27W	P13.516.000.0
3000K	WW_NSP (12°x62°)	2642lm	27W	P13.816.000.0
3000K	WW_SP (24°x62°)	2648lm	27W	P13.916.000.0
4000K	NSP (12°)	3417lm	27W	P13.226.000.0
4000K	SP (24°)	3424lm	27W	P13.326.000.0
4000K	FL (30°)	3268lm	27W	P13.426.000.0
4000K	WFL (50°)	2970lm	27W	P13.526.000.0
4000K	WW_NSP (12°x62°)	3007lm	27W	P13.826.000.0
4000K	WW_SP (24°x62°)	3013lm	27W	P13.926.000.0
RGBW	NSP (12°)	282-498-188-719lm	25.2W	P13.2Z6.000.0
RGBW	SP (24°)	286-504-190-727lm	25.2W	P13.3Z6.000.0
RGBW	FL (30°)	279-493-186-711lm	25.2W	P13.4Z6.000.0
RGBW	WFL (50°)	273-481-182-695lm	25.2W	P13.5Z6.000.0

OPTIONS PRODUIT / Luminaire options	Référence
T° couleur LED / LED colour temperature	Sur demande / On request
Câble supplémentaire / Additional cable	T00.000.007.0
RAL spécial / Special RAL	Sur demande / On request
Connecteur IP68 / IP68 connector	T00.000.078.0
Kit connexion IP68 / IP68 connection kit	T00.000.000.0
Filtre strié / Blade filter	T00.000.023.0
Grille nid d'abeille / Honeycomb grid	T00.000.013.0
Verre dépoli / Frosted glass	T00.000.022.0
Casquette aluminium / Aluminium anti-glare cap	T00.000.067.0
Casquette inox / Stainless steel anti-glare cap	T00.000.068.0
Casquette laiton / Brass anti-glare cap	T00.000.069.0
Piquet (200mm) / Stake (200mm)	T00.000.008.0

Dimensions câble / Cable dimensions	
Monochrome	2 x 0,5 mm ² - Ø5,8mm
RGBW	8 x 0,22 mm ² - Ø7mm

*Flux en sortie produit / Net luminaire output
 **Puissance max / Maximum power