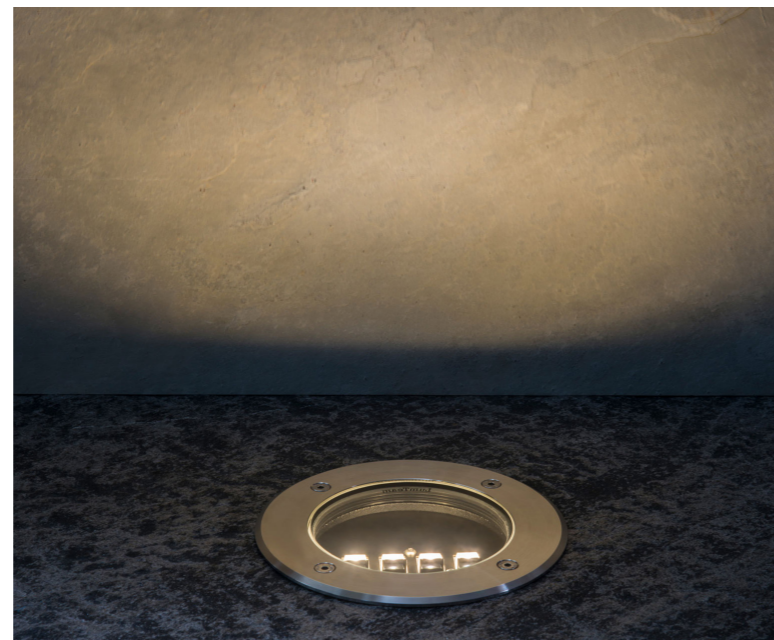


GEMINI ASY



Encastré de sol asymétrique

Asymmetrical ground recessed luminaire



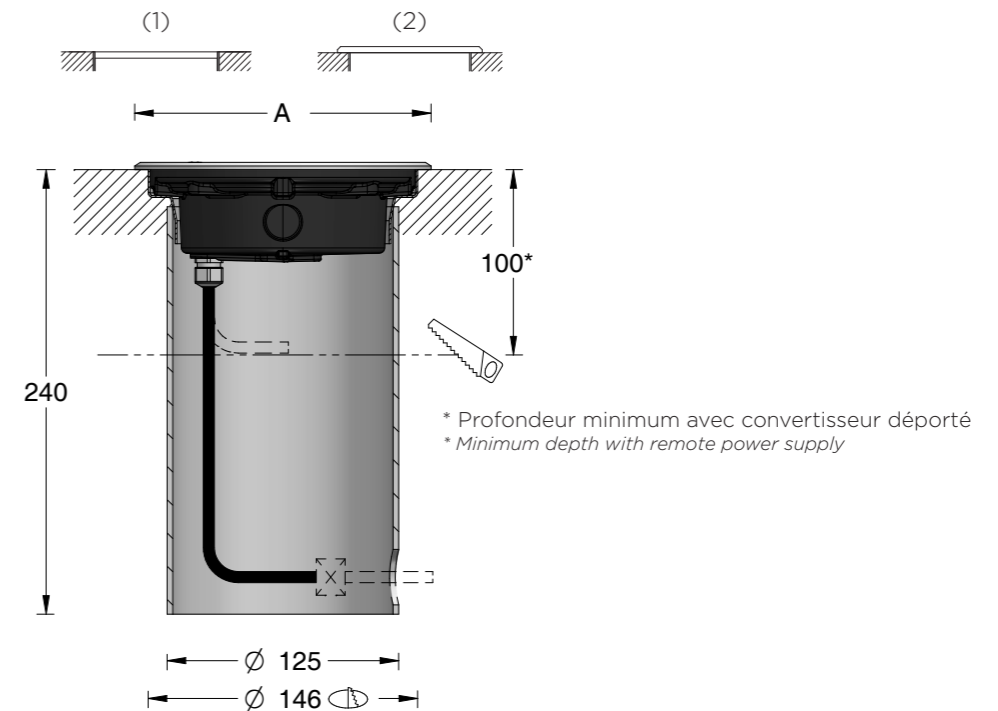
| | | | |
|--|---|---|----------|
| Source / Source | 4 LED 3-SDCM - L90B10@100.000hr | | |
| T° de couleur / Color T° | Monochrome | | |
| Flux produit / Product flux¹ | 600lm | 440lm | |
| Efficacité / Efficacy | - 107lm/W | - 100lm/W | - 86lm/W |
| Optique / Optic² | Asymétrique / Asymmetrical | | |
| Orientable / Adjustable | Non / No | | |
| Puissance / Power | 6.4W_max | 6.9W_max | 5.8W_max |
| Alimentation / Power supply | 500mA_max | 24VDC | 230VAC |
| Classe énergie / Energy class | E | F | G |
| Pilotage / Control³ | On-Off / 1-10V / DALI / DMX (Déporté / Remote) | | |
| Câblage / Cables⁴ | 1ml standard - 2x0.5mm ² noir (500mA/24VDC) / 2x0.75mm ² noir (230VAC) | | |
| Disque / Disk | Rond Arrasant (1) Trimless round | Rond Recouvrant (2) Covering round | |
| (A) Dimension disque / Disk size | Ø146mm | | Ø160mm |
| Options / Options | LED COLOR CUSTOM CABLE +1M RAL Connect. IP68 Kit connex. IP68 Vis antivol Système antivol | RAL spécial IP68 connect. kit Anti-theft screw Anti-theft system | |

¹ 3000K-ASY_232 en sortie produit / 3000K-ASY_232 at product output

² Effets lumineux visibles page: 273 / Visible light effects on page: 273

³ A commander séparément selon driver / To order separately with adequate driver

⁴ Certifié usage extérieur / Certified for outdoor use



GEMINI ASY





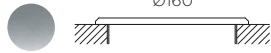
GEMINI ASY

4 LED



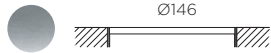
2024-00

ALUMINIUM / Aluminium



| T° couleur Color T° | Optique Optic | Flux* Flux* | Puissance** Power** | 500mA | Flux* Flux* | Puissance** Power** | 24VDC | Flux* Flux* | Puissance** Power** | 230VAC |
|------------------------|------------------|----------------|------------------------|-------------------------------|----------------|------------------------|-------------------------------|----------------|------------------------|-------------------------------|
| 2700K | ASY_232 | 540lm | 6.4W | E21.K14.002.0 | 540lm | 6.9W | E21.K14.003.0 | 396lm | 5.8W | E21.K13.001.0 |
| 3000K | ASY_232 | 600lm | 6.4W | E21.K14.000.0 | 600lm | 6.9W | E21.K14.001.0 | 440lm | 5.8W | E21.K13.000.0 |
| 4000K | ASY_232 | 660lm | 6.4W | E21.K24.000.0 | 660lm | 6.9W | E21.K24.001.0 | 484lm | 5.8W | E21.K23.000.0 |

ALUMINIUM / Aluminium



| T° couleur Color T° | Optique Optic | Flux* Flux* | Puissance** Power** | 500mA | Flux* Flux* | Puissance** Power** | 24VDC | Flux* Flux* | Puissance** Power** | 230VAC |
|------------------------|------------------|----------------|------------------------|-------------------------------|----------------|------------------------|-------------------------------|----------------|------------------------|-------------------------------|
| 2700K | ASY_232 | 540lm | 6.4W | E11.K14.002.0 | 540lm | 6.9W | E11.K14.003.0 | 396lm | 5.8W | E11.K13.001.0 |
| 3000K | ASY_232 | 600lm | 6.4W | E11.K14.000.0 | 600lm | 6.9W | E11.K14.001.0 | 440lm | 5.8W | E11.K13.000.0 |
| 4000K | ASY_232 | 660lm | 6.4W | E11.K24.000.0 | 660lm | 6.9W | E11.K24.001.0 | 484lm | 5.8W | E11.K23.000.0 |

*Flux en sortie produit / Net luminaire output
**Puissance max / Maximum power

| Dimensions câbles / Cable dimensions | |
|--------------------------------------|----------------------------------|
| 500mA_max / 24VDC | 2 x 0.5 mm ² - Ø5,8mm |
| 230VAC | 2 x 0.75 mm ² - Ø7mm |



| T° couleur Color T° | Optique Optic | Flux* Flux* | Puissance** Power** | 500mA | Flux* Flux* | Puissance** Power** | 24VDC | Flux* Flux* | Puissance** Power** | 230VAC |
|------------------------|------------------|----------------|------------------------|-------------------------------|----------------|------------------------|-------------------------------|----------------|------------------------|-------------------------------|
| 2700K | ASY_232 | 540lm | 6.4W | E22.K14.002.0 | 540lm | 6.9W | E22.K14.003.0 | 396lm | 5.8W | E22.K13.001.0 |
| 3000K | ASY_232 | 600lm | 6.4W | E22.K14.000.0 | 600lm | 6.9W | E22.K14.001.0 | 440lm | 5.8W | E22.K13.000.0 |
| 4000K | ASY_232 | 660lm | 6.4W | E22.K24.000.0 | 660lm | 6.9W | E22.K24.001.0 | 484lm | 5.8W | E22.K23.000.0 |



| T° couleur Color T° | Optique Optic | Flux* Flux* | Puissance** Power** | 500mA | Flux* Flux* | Puissance** Power** | 24VDC | Flux* Flux* | Puissance** Power** | 230VAC |
|------------------------|------------------|----------------|------------------------|-------------------------------|----------------|------------------------|-------------------------------|----------------|------------------------|-------------------------------|
| 2700K | ASY_232 | 540lm | 6.4W | E12.K14.002.0 | 540lm | 6.9W | E12.K14.003.0 | 396lm | 5.8W | E12.K13.001.0 |
| 3000K | ASY_232 | 600lm | 6.4W | E12.K14.000.0 | 600lm | 6.9W | E12.K14.001.0 | 440lm | 5.8W | E12.K13.000.0 |
| 4000K | ASY_232 | 660lm | 6.4W | E12.K24.000.0 | 660lm | 6.9W | E12.K24.001.0 | 484lm | 5.8W | E12.K23.000.0 |

*Flux en sortie produit / Net luminaire output
**Puissance max / Maximum power

| Dimensions câbles / Cable dimensions | |
|--------------------------------------|----------------------------------|
| 500mA_max / 24VDC | 2 x 0.5 mm ² - Ø5.8mm |
| 230VAC | 2 x 0.75 mm ² - Ø7mm |



| T° couleur Color T° | Optique Optic | Flux* Flux* | Puissance** Power** | 500mA | Flux* Flux* | Puissance** Power** | 24VDC | Flux* Flux* | Puissance** Power** | 230VAC |
|------------------------|------------------|----------------|------------------------|-------------------------------|----------------|------------------------|-------------------------------|----------------|------------------------|-------------------------------|
| 2700K | ASY_232 | 540lm | 6.4W | E22.K14.002.0 | 540lm | 6.9W | E22.K14.003.0 | 396lm | 5.8W | E22.K13.001.0 |
| 3000K | ASY_232 | 600lm | 6.4W | E22.K14.000.0 | 600lm | 6.9W | E22.K14.001.0 | 440lm | 5.8W | E22.K13.000.0 |
| 4000K | ASY_232 | 660lm | 6.4W | E22.K24.000.0 | 660lm | 6.9W | E22.K24.001.0 | 484lm | 5.8W | E22.K23.000.0 |

| OPTIONS PRODUIT / Luminaire options | Référence |
|---|--|
| T° couleur LED / LED colour temperature | Sur demande / On request |
| Câble supplémentaire / Additional cable | T00.000.007.0 |
| RAL spécial / Special RAL | Sur demande / On request |
| Connecteur IP68 / IP68 connector | T00.000.078.0 |
| Kit connexion IP68 / IP68 connection kit | T00.000.000.0 |
| Verre polycarbonate / Polycarbonate glass | C00.000.016.0 |
| Vis antivol / Anti-theft screw | T00.000.062.0 |
| Système antivol / Anti-theft system | T00.000.021.0 |

| Dimensions câbles / Cable dimensions | |
|--------------------------------------|----------------------------------|
| 500mA_max / 24VDC | 2 x 0.5 mm ² - Ø5.8mm |
| 230VAC | 2 x 0.75 mm ² - Ø7mm |

*Flux en sortie produit / Net luminaire output
 **Puissance max / Maximum power