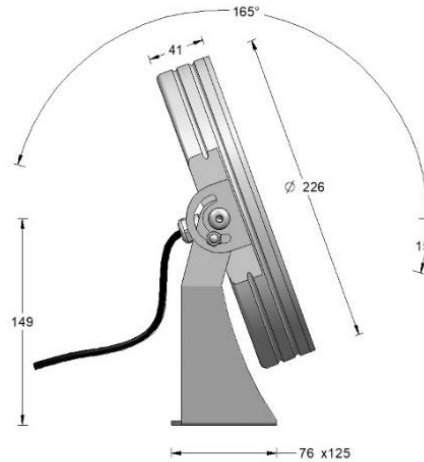
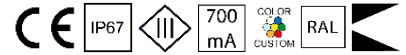


# DRACO

## 24 LED spotlight



- . **Material:** Body in anodized Aluminium (Epoxy paint possible)  
Bracket in Stainless steel 316L  
Tempered glass extra white
- . **Fixing :** On bracket
- . **LED Source :** 24 LED 3-SDCM - L90B10@100.000hr
- . **Color T° :** 2700K / 3000K / 4000K - Other possible temperatures, contact us.  
RGB
- . **Product flux :** 6080lm (@ 3000K-12°)
- . **Efficacy :** 132lm/W
- . **CRI :** 80+ / 90+
- . **Optic :** 12° / 24° / 30° / 50° / WW(12°x62°) / WW(24°x62°)
  
- . **Adjustable :** Yes
- . **Dimensions :** Ø226mm x 41mm
- . **Weight :** 4.500Kg
  
- . **Protection :** IP67
- . **Impact :** -
- . **Static load :** -
- . **High pressure :** No
  
- . **Protection Class :** Class III
- . **Power :** 54W (monochrome)
- . **Power supply :** 700mA
- . **Driver :** Remote
- . **Control :** On-Off / 1-10V\* / DALI\* / DMX\* (with adequate driver)  
\* Smartphone bluetooth CASAMBI control option possible
- . **Cables :** 1ml standard (2x0.50mm<sup>2</sup> black) - Monochrome  
3ml standard (6x0.22mm<sup>2</sup> black) - RGB
  
- . **Energy class :** D
- . **Norms :** NF-EN 60529/60598-1/60598-2-1/60598-2-3/60598-2-5/62471
- . **Warranty :** 2 years standard