



MICRO MICRO SET

Encastré LED de balisage, en aluminium anodisé ou inox 316L, livré avec son boîtier d'encastrement ou vis de fixation. Alimentation à commander séparément.

Signaling LED recessed, in anodized aluminum or stainless steel 316L, provided with recessed box or with screws. Power supply must be ordered separately.

Incassato LED con ottica a segnappasso, alluminio anodizzato o inox 316L, con casaforma. Alimentazione da ordinare separatamente.



Micro



Micro Set



Information given in this notice is for the guidance of our customers only, and must be understood to be without commitment on our part. All rights of reproduction, modification, representation, use of conceptual credit (reports, studies, documentation, illustrations, designs, sounds), photographs, videos, and other material from LUMTEAM, for any purpose, must be subject to a prior written agreement between him and LUMTEAM, and the payment of the relevant duties, if applicable. Once granted, the assignment applies to the entire world and according to the legal period of protection of the rights and cannot be resold. Accreditation remains mandatory for the use of images and various contents of LUMTEAM before publication. Declaration the name LUMTEAM is mandatory for each publication. - © Lumteam 2016

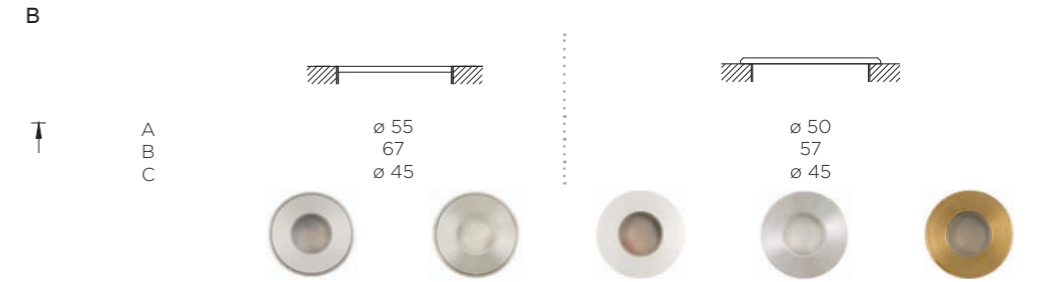
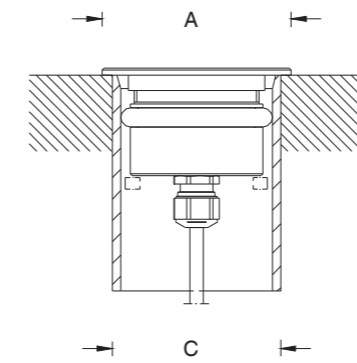
Plan-de-Cuques (13)



Solliès-Pont (83) - JND



Micro

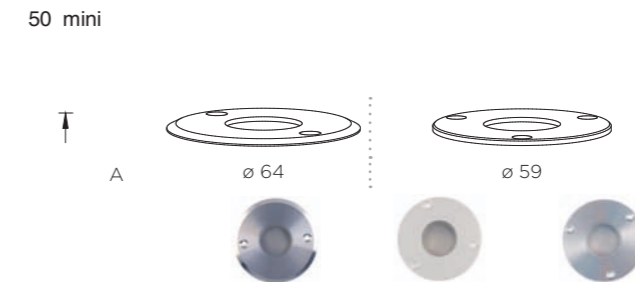
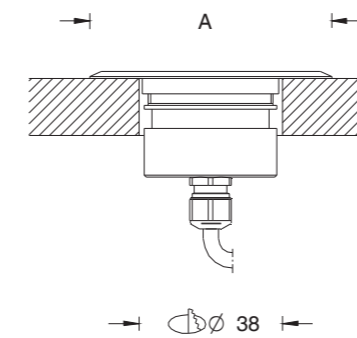


500 mA 350 mA
IP68 IK09
3T
CEI 80598
KG
0,24 Kg

1 LED 500mA_max Classe 3 Câble 2 x 0.22 mm2					Alu	Inox 316L	Alu	Inox 316L	Brass
3000K	Dépoli	1.6W	3.2V	42lm	I11.012.000.0	I12.012.000.0	I21.012.000.0	I22.012.000.0	I23.012.000.0
4000K	Dépoli	1.6W	3.2V	42lm	I11.022.000.0	I12.022.000.0	I21.022.000.0	I22.022.000.0	I23.022.000.0

1 LED 350mA_max Classe 3 Câble 2 x 0.22 mm2					Alu	Inox 316L	Alu	Inox 316L	Brass
Amber	Dépoli	0.9W	2.6V	20lm	I11.0A2.001.0	I12.0A2.001.0	I21.0A2.002.0	I22.0A2.002.0	I23.0A2.001.0
Blue	Dépoli	1.3W	3.5V	17lm	I11.0B2.001.0	I12.0B2.001.0	I21.0B2.002.0	I22.0B2.002.0	I23.0B2.001.0

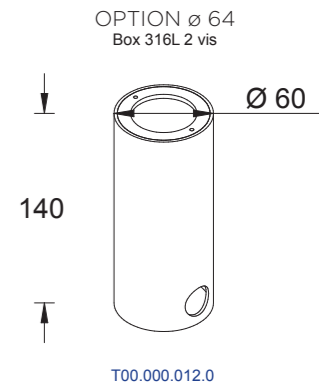
Micro Set



500 mA 350 mA
IP68 IK09
3T
CEI 80598
KG
0,24 Kg

1 LED 500mA_max Classe 3 Câble 2 x 0.22 mm2					Inox 316L	Alu	Inox 316L
3000K	Dépoli	1.6W	3.2V	72lm	I22.012.001.0	I21.012.001.0	I22.012.002.0
4000K	Dépoli	1.6W	3.2V	77lm	I22.022.001.0	I21.022.001.0	I22.022.002.0

1 LED 350mA_max Classe 3 Câble 2 x 0.22 mm2					Inox 316L	Alu	Inox 316L
Amber	Dépoli	0.9W	2.6V	20lm	I22.0A2.003.0	I21.0A2.003.0	I22.0A2.004.0
Blue	Dépoli	1.3W	3.5V	17lm	I22.0B2.003.0	I21.0B2.003.0	I22.0B2.004.0



IP68 CABLE +1M Custom IP67 Intertek On request COLOR CUSTOM RAL Custom Custom